



LED controller MC750

Mechanical Specifications

Dimensions: L x W x H
73.5 mm x 110 mm x 40 mm
(2.9" x 4.3" x 1.58")

Connectors on backside:
– 1 Light head Connector
– 24V DC Connector



LED controller MC1500

Mechanical Specifications

Dimensions: L x W x H
153 mm x 110 mm x 40 mm
(6" x 4.3" x 1.58")

Connectors on backside:
– 24V DC Connector
– RS232 Interface
– 2 Lighthouse Connectors
– 1 Footswitch
– 1 Flash

Controllers and Power Supplies for VisiLEDs MC Series

LED controller MC750

For lower contrasting requirements

Features

- Continuous dimming via potentiometer
- Overtemperature protection of LED lighthouse

LED controller MC1500

The intelligent multifunction center

Features

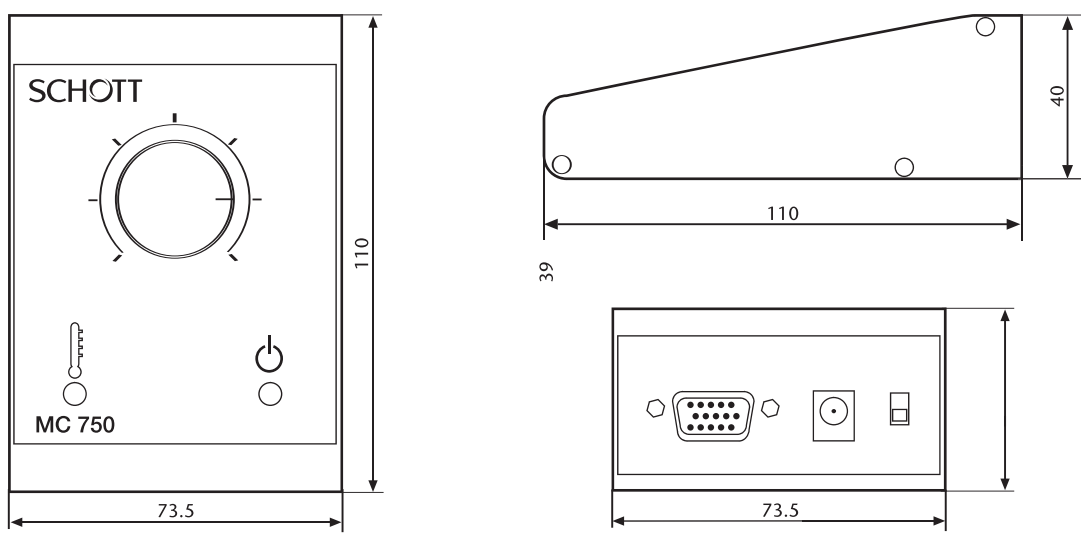
- 5 preset segment modes plus rotation for optimum contrasting
- Smooth dimming with overdrive position
- 4 memory positions to save custom lighting modes
- Temperature control and overheating protection for LED lighthouses
- External Trigger: to start single strobe
- Flash mode: to overdrive continuous set intensity with a short flash for taking photographs
- Strobe mode: to utilize internal strobe function with frequencies between 15 Hz–5 KHz
- RS 232 Computer interface (USB 1.1 optional) to set parameters via computer
- Foot switch to switch between memory positions (optional)

The MC1500 controller can be controlled completely by PC or laptop using the provided Windows demo software. Alternatively the enclosed DLL-library can be integrated into any customer specific software. After downloading to the memory keys of the MC1500 the chosen settings are available on the controller – even without further connection to a PC. The software enables to operate all controller properties and several extra functions by remote control, e.g.: individual segment control, strobe duration and intensity, rotation frequency, etc.

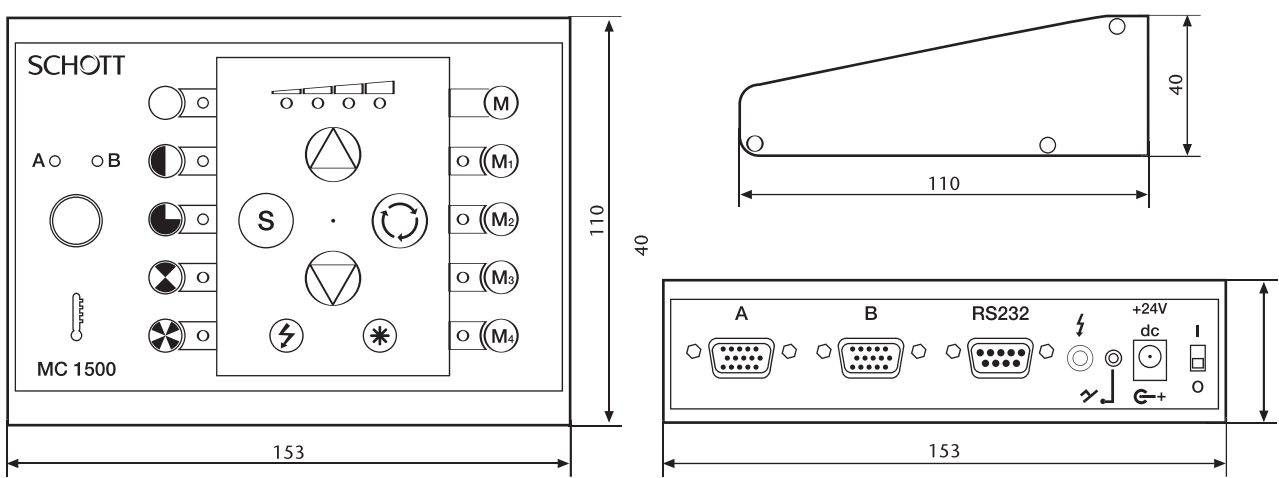
- Manufactured in the EU.

Controllers, Power Supplies and Accessories	
Description	Part No.
MC750 basic controller	400 010
MC1500 controller – intelligent multifunction center	400 000
Power Supplies	
Input 100–240V AC, 50/60 Hz; Output 24V DC/1,0A, UL certification and CE (incl. medical standards)	400 050
IEC cord with European Plug	400 051
IEC cord with US Plug	400 052
IEC cord with UK Plug	400 053
IEC cord with Swiss Plug	400 054
Accessories	
Foot switch with cable to switch between memory positions	400 020
USB 1.1 to RS 232 converter	400 030
Cable for flash synchronization and external trigger (via s-contact)	400 035

Controllers and Power Supplies for VisiLEDs MC Series



LED controller MC750



LED controller MC1500

Fiber Optics
SCHOTT North America, Inc.
 62 Columbus Street
 Auburn, NY 13021-3137
 USA
 Phone: +1315/255-2791
 Fax: +1315/255-2695
 E-mail: fiberoptics.auburn@us.schott.com
www.us.schott.com/fiberoptics

