



LED Spotlight, A25020



Coaxial Adapter, A25025

Mechanical Specifications	
Mounting:	M4 Mounting Stud
Connector Type:	8 Pin DIN Connector
Cable Length:	78 ³ / ₄ " (2 M)
Housing Type:	Black Anodized Aluminum
Temperature Range:	Operating – 20 °C to + 40 °C
Temperature Range:	Storage – 40 °C to + 80 °C
Diameter:	2.01" (51 mm)
Length:	2.13" (54 mm)
Weight of head:	0.17 lb. (80 gm), with cable: 0.31 lb. (140 gm)

LED Spotlight

Use for area illumination or in combination with our optional accessories – as a backlight or dual on axis lighting.

Patented Features

- Matrix plate heat sink that dissipates heat buildup to improve light output and extend component life.
- Matrix circuit design that maximizes reliability by isolating failures to individual LEDs.
- Intelligent design facilitates monitoring of lighthouse temperature and intensity through continuous feedback via the built-in thermistor and photo-diode (Contact SCHOTT for details).

Standard Features

- Standard LED: Ø 3 mm T1-housing
- Uniformity: ± 25 grayscales at 4" (102 mm) working distance (mean of 200 grayscales).
- Use in a steady state-mode as a general purpose area light, or in strobe mode to freeze motion, reduce exposure times and increase processing speed.
- One year warranty.
- Manufactured in the USA.

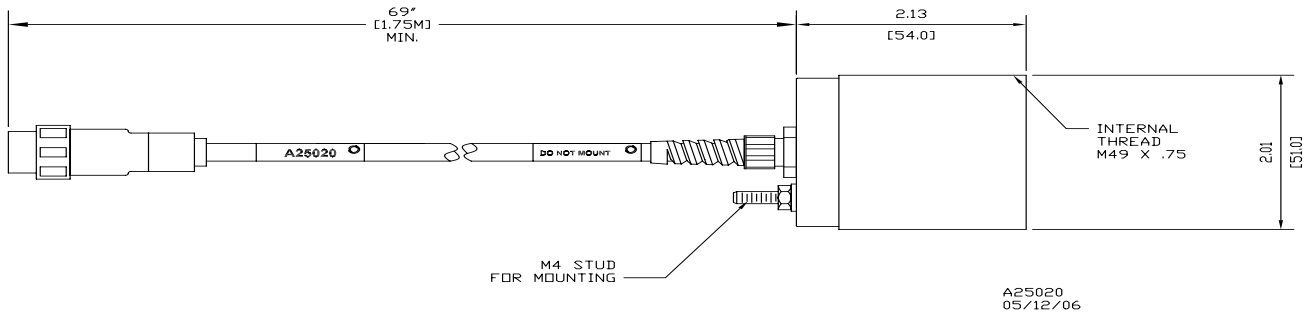
LED Spotlight and Accessories							
Description	Part. No	Color	No. of Leds	Peak-Wavelength	Voltage	Current**	Size [mm]
Lighthouse							
LED Spotlight	A25020	Red	79	660 nm	12 volt	320 mA	Ø 50
	A25020.1*	White	79	–	24 volt	320 mA	Ø 50
	A25020.2*	Green	79	574 nm	12 volt	320 mA	Ø 50
	A25020.4*	Blue	79	460–470 nm	24 volt	320 mA	Ø 50
	A25020.5*	UV	79	375 nm	24 volt	320 mA	Ø 50
	A25020.6*	IR	79	860 nm	12 volt	320 mA	Ø 50
Accessories							
Polarizer (to reduce glare)	A25021						
Window (seals spotlight to NEMA 5 and IP54)	A25023						
Diffuser (for backlighting)	A25024						
Coaxial Adapter (for onaxis lighting)	A25025						

LED Light Exit angle 50°

* Lead-time required

** Nominal forward current for continuous use

LED Spotlight



LED Spotlight, A25020

Fiber Optics

SCHOTT North America, Inc.

62 Columbus Street

Auburn, NY 13021-3137

USA

Phone: +1315/255-2791

Fax: +1315/255-2695

E-mail: fiberoptics.auburn@us.schott.com

www.us.schott.com/fiberoptics

SCHOTT