



LED Darkfield Ringlight, A25060

Mechanical Specifications	
Mounting:	M4 Mounting Holes
Connector Type:	8 Pin DIN Connector
Cable Length:	78 ³ / ₄ " (2 M)
Housing Type:	Black Anodized Aluminum
Temperature Range:	Operating – 20 °C to + 40 °C
Temperature Range:	Storage – 40 °C to + 80 °C
Outside diameter:	4.96" (126 mm)
Inside diameter:	2.6" (66 mm)
Height	1" (25.4 mm)
Weight of head:	0.53 lb. (240 gm), with cable: 0.75 lb. (340 gm)

LED Darkfield Ringlight

Low-angle lighting creates "darkfield" effects that enhance the contrast of surface features. Perfect for BGA (Ball Grid Array) and bottle-top inspection.

Patented Features

- Matrix circuit design that maximizes reliability by isolating failures to individual LEDs.
- Intelligent design facilitates monitoring of lighthead temperature and intensity through continuous feedback via the built-in thermistor and photo-diode (Contact SCHOTT for details).

Standard Features

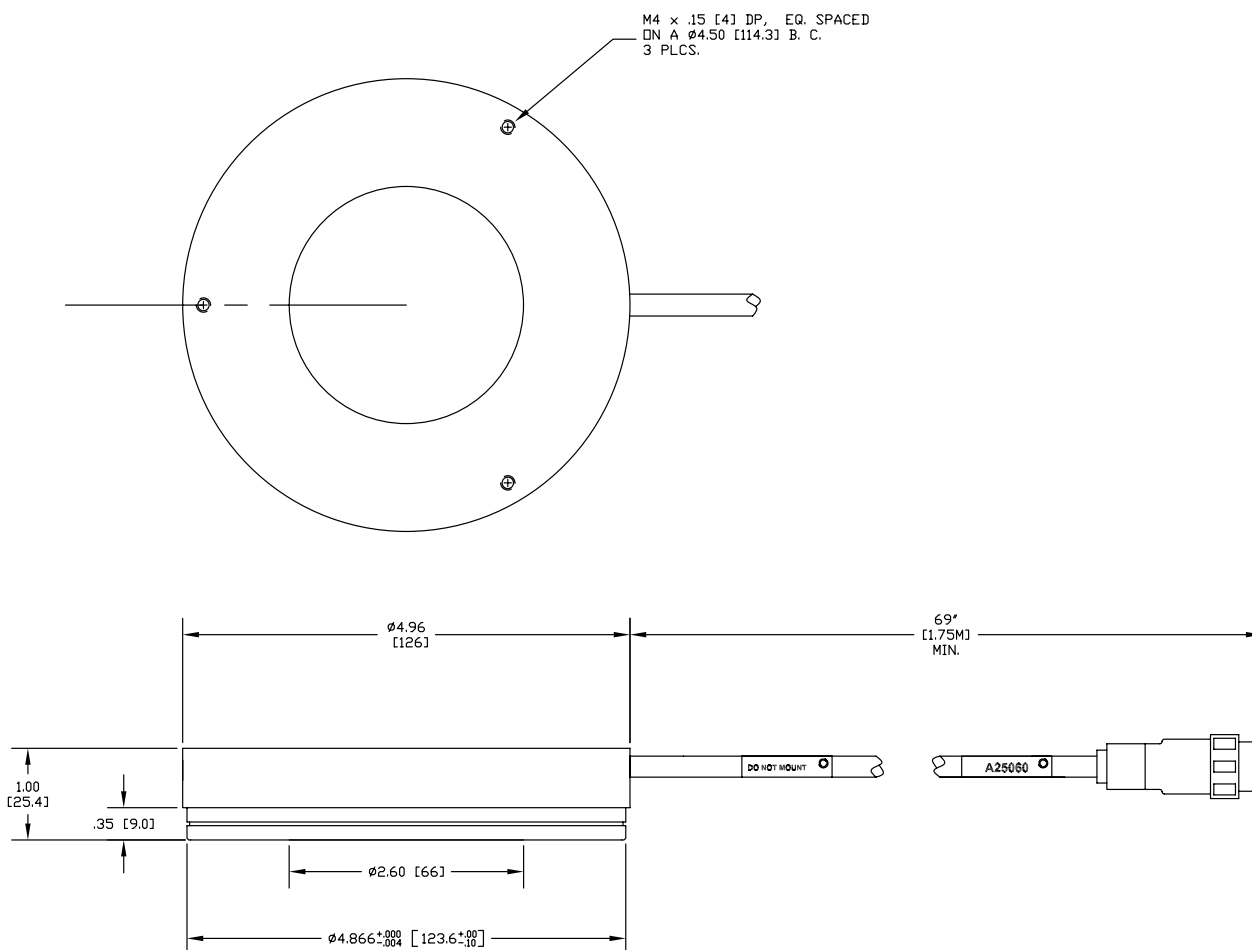
- Standard LED: Ø 3 mm T1-housing
- Working distance: .25" to 1" (6.35 to 25.4 mm)
- Use in a steady state-mode as a general purpose area light, or in strobe mode to freeze motion, reduce exposure times and increase processing speed.
- One year warranty.
- Manufactured in the USA.

LED Darkfield Ringlight						
Part No.	Color	No. of Leds	Peak-Wavelength	Voltage	Current**	Size [mm]
A25060	Red	75	630 nm	12 volt	300 mA	66/126
A25060.1*	White	75	–	24 volt	300 mA	66/126
A25060.2*	Green	75	574 nm	12 volt	300 mA	66/126
A25060.4*	Blue	75	460–470 nm	24 volt	300 mA	66/126
A25060.5*	UV	75	375 nm	24 volt	300 mA	66/126
A25060.6*	IR	75	860 nm	12 volt	300 mA	66/126

* Lead-time required

** Nominal forward current for continuous use

LED Darkfield Ringlight



LED Ringlight, A25060

Fiber Optics

SCHOTT North America, Inc.

62 Columbus Street

Auburn, NY 13021-3137

USA

Phone: +1315/255-2791

Fax: +1315/255-2695

E-mail: fiberoptics.auburn@us.schott.com

www.us.schott.com/fiberoptics

SCHOTT