



LED Diffuse Dome Ringlight, A25050

Mechanical Specifications	
Mounting:	M4 Mounting Holes
Connector Type:	8 Pin DIN Connector
Cable Length:	78 <sup>3</sup> / <sub>4</sub> " (2 M)
Housing Type:	Black Anodized Aluminum
Temperature Range:	Operating – 20 °C to + 40 °C
Temperature Range:	Storage – 40 °C to + 80 °C
Outside diameter:	4.96" (126 mm)
Inside diameter:	2.6" (66 mm)
Height (including ringlight):	3.4" (87 mm)
Weight of head:	0.73 lb. (330 gm), with cable: 0.93 lb. (420 gm)

## LED Diffuse Dome Ringlight

Includes many of the features of our A25040 ringlight combined with a dome diffuser that eliminates specular reflections on shiny surfaces.

### Patented Features

- Matrix plate heat sink that dissipates heat buildup to improve light output and extend component life.
- Matrix circuit design that maximizes reliability by isolating failures to individual LEDs.
- Intelligent design facilitates monitoring of lighthouse temperature and intensity through continuous feedback via the built-in thermistor and photo-diode (contact SCHOTT for details).

### Standard Features

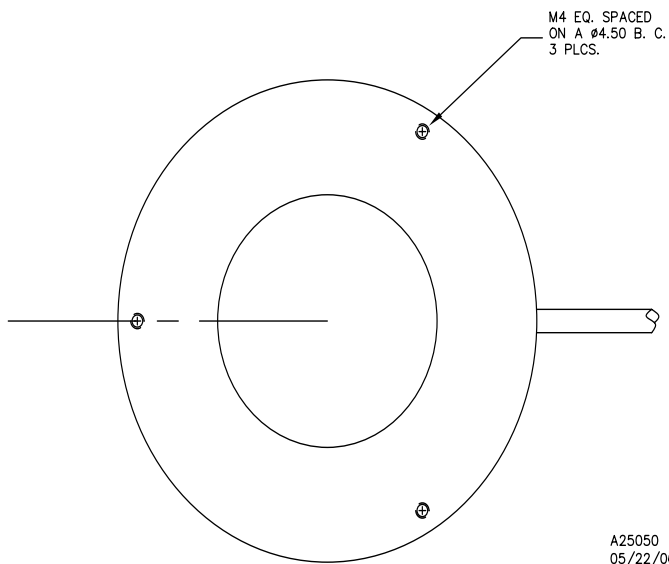
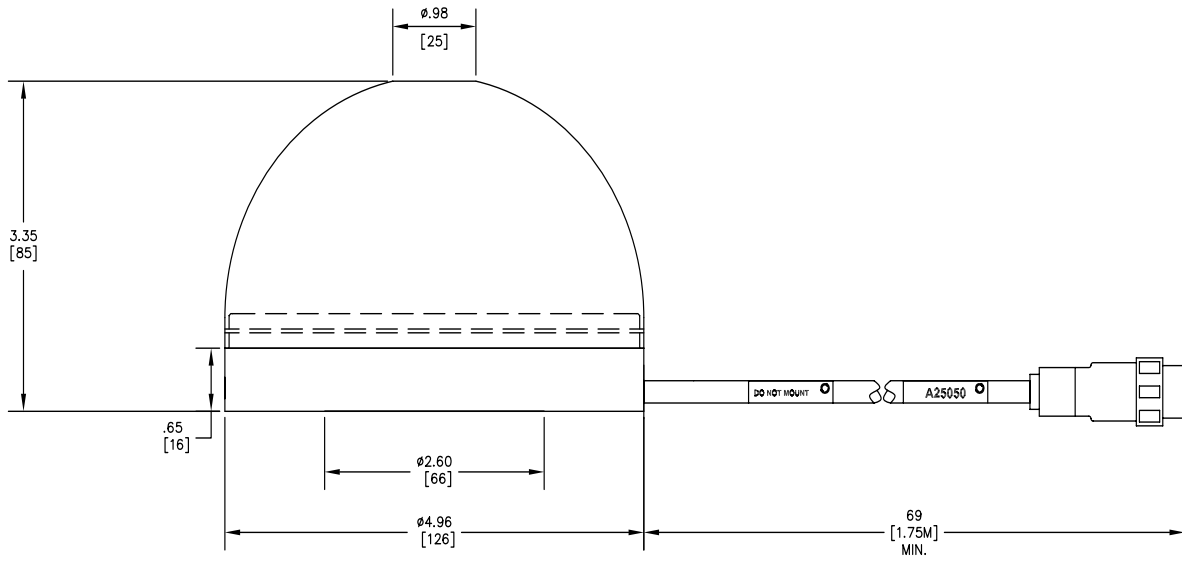
- Standard LED: Ø 3 mm T1-housing
- Viewing aperture: 0.98" (25 mm)
- Use in a steady state-mode as a general purpose area light, or in strobe mode to freeze motion, reduce exposure times and increase processing speed.
- One year warranty.
- Manufactured in the USA.

Diffuse Dome Ringlight						
Part No.	Color	No. of Leds	Peak-Wavelength	Voltage	Current**	Size [mm]
A25050	Red	193	630 nm	12 volt	780 mA	66/126
A25050.1*	White	193	–	24 volt	780 mA	66/126
A25050.2*	Green	193	574 nm	12 volt	780 mA	66/126
A25050.3*	Yellow	193	595 nm	12 volt	780 mA	66/126
A25050.4*	Blue	193	460–470 nm	24 volt	780 mA	66/126
A25050.5*	UV	193	375 nm	24 volt	780 mA	66/126
A25050.6*	IR	193	875 nm	12 volt	780 mA	66/126

\* Lead-time required

\*\* Nominal forward current for continuous use

# LED Diffuse Dome Ringlight



A25050  
05/22/06

LED Diffuse Dome Ringlight, A25050

Fiber Optics

**SCHOTT North America, Inc.**

62 Columbus Street

Auburn, NY 13021-3137

USA

Phone: +1315/255-2791

Fax: +1315/255-2695

E-mail: [fiberoptics.auburn@us.schott.com](mailto:fiberoptics.auburn@us.schott.com)

[www.us.schott.com/fiberoptics](http://www.us.schott.com/fiberoptics)

# SCHOTT