

Lightline 50 x 1.2 mm



Lightline 300 x 0.3 mm, KL 2500 LCD only

Lightlines

Feature:

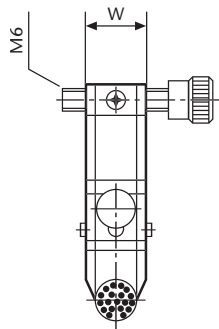
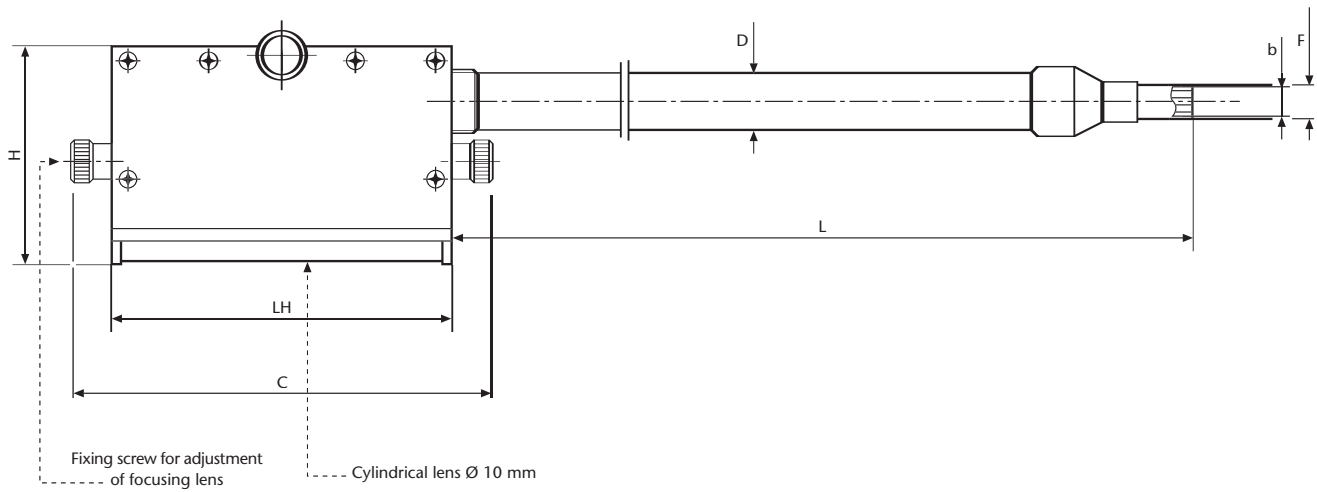
- Lightline or Spot to line converter.
- Adjustable cylindrical lens to reduce the illumination angle up to 3 degrees.
- Housing made of rugged, black anodized aluminium.
- Fiber bundle protected with flexible metal PVC sheathing.
- Manufactured in the EU.

Benefit:

- Illumination for objectives with flat structures, i.e. imprint on checks.
- Creates uniform line illumination.
- High intense illumination for examination of footprints.

Lightline										
Cold light source	Part-No.	Line dimensions	Height of housing	Length of housing	Overall length of housing	Width of housing	Length	Outer Ø Jacketing	Active Ø/ branch	Light source adapter Ø
			H	LH	C	W	L	D	b	F
KL 1500 LCD KL 2500 LCD	160 100	50 x 1.2 mm 1.97 x 0.05 inch	63 mm 2.48 inch	66 mm 2.60 inch	~ 94 mm ~ 3.70 inch	18 mm 0.71 inch	1000 mm 39.37 inch	15 mm 0.59 inch	8,9 mm 0.35 inch	10 mm 0.39 inch
	160 110	100 x 0.6 mm 3.94 x 0.02 inch	63 mm 2.48 inch	116 mm 4.57 inch	~ 144 mm ~ 5.67 inch	18 mm 0.71 inch	1000 mm 39.37 inch	15 mm 0.59 inch	8,9 mm 0.35 inch	10 mm 0.39 inch
	160 120	200 x 0.4 mm 7.87 x 0.02 inch	101 mm 3.98 inch	216 mm 8.50 inch	~ 244 mm ~ 9.61 inch	18 mm 0.71 inch	1000 mm 39.37 inch	15 mm 0.59 inch	8,9 mm 0.35 inch	10 mm 0.39 inch
KL 2500 LCD only	260 130	300 x 0.3 mm 11.81 x 0.01 inch	101 mm 3.98 inch	316 mm 12.44 inch	~ 344 mm ~ 13.54 inch	18 mm 0.71 inch	1000 mm 39.33 inch	17 mm 0.67 inch	10,8 mm 0.43 inch	17 mm 0.67 inch
	260 135	300 x 0.3 mm 11.81 x 0.01 inch	101 mm 3.98 inch	316 mm 12.44 inch	~ 344 mm ~ 13.54 inch	18 mm 0.71 inch	1500 mm 59.06 inch	17 mm 0.67 inch	10,8 mm 0.43 inch	17 mm 0.67 inch

Lightlines



Fiber Optics

SCHOTT North America, Inc.

62 Columbus Street

Auburn, NY 13021-3137

USA

Phone: +1315/255-2791

Fax: +1315/255-2695

E-mail: fiberoptics.auburn@us.schott.com

www.us.schott.com/fiberoptics

SCHOTT