



Focussing lens and filter set, P/N 158 200



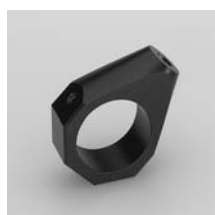
Focussing lens, P/N 258 210



Base stand, P/N 158 340



Articulating arm, P/N 158 345



Holder for focussing lens, P/N 158 341



Holder; left P/N 157 430, middle P/N 158 335, right P/N 158 330

## Focussing Lenses

- SCHOTT offers focussing lenses for flexible light guides and goosenecks.
- The light intensity at the spot center can be increased by factor 3.
- When using a KL 1500 LCD or KL 2500 LCD additional effects can be achieved with the integrated optics swung in respectively out.
- Manufactured in the EU.

Focussing lenses				
	Part. No.	Aperture angle	Polarization filter for focussing lens*	Daylight filter for focussing lens
Focussing lens and filterset				
Ø up to 5.0 mm, red, blue, green, yellow	158 200	20° half angle	158 205	158 211
Focussing lenses for flexible light guides and goosenecks				
Ø up to 5.0 mm**	158 210	20° half angle	158 205	158 211
Ø up to 8.0 mm**	158 215	20° half angle	158 206	---

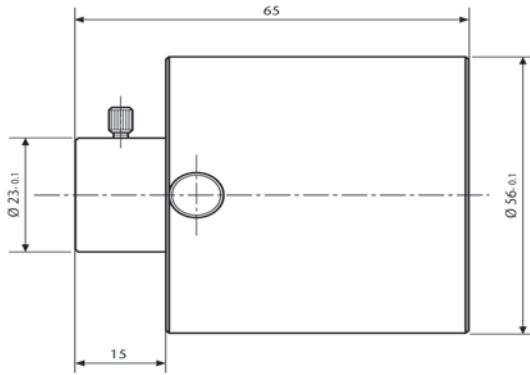
\* The corresponding cross polarizer must be purchased from the accessory range of the microscope/objective vendor  
 \*\* active diameters

## Holder for Light Guides

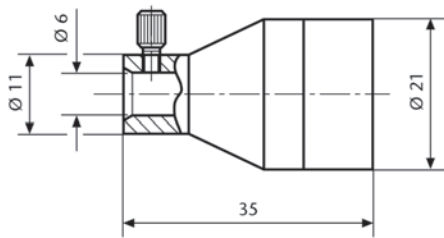
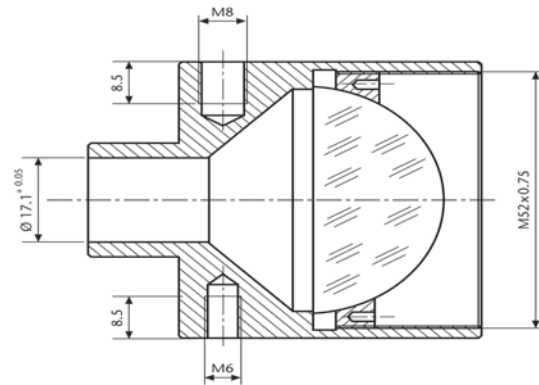
To position flexible light guides and ringlights precisely SCHOTT offers an articulating arm and base as well as holders for different size light guides and focussing lenses.

Holder for light guides				
	Part. No.	Mounting	Dimension	
Articulating arm and base				
Articulating arm	158 345	2 M6 threads	200 mm length	
Base for articulating arm	158 340	3 M6 holes	Ø 100 mm	
Holder for focussing lenses				
Ø up to 5.0 mm	158 341	1 M6 hole	for focussing lens 158 210 and set 158 20	
Ø 8.0 mm	157 430			
Ø 12 and 15 mm	---	1 x M6 and 1 x M8 hole in body of focussing lens. A separate holder is not necessary.		
Holder for flexible light guides				
Ø up to 5.0 mm	158 330	1 M6 hole		
Ø 8.0 mm	158 335	1 M6 hole		
Ø 12 and 15 mm	157 430	1 M6 hole		
Holder for annular ringlights				
Ø 58 and 66 mm	157 430	1 M6 hole		

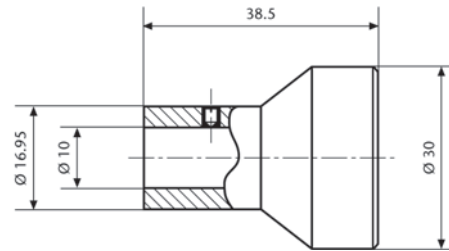
# Focussing Lenses



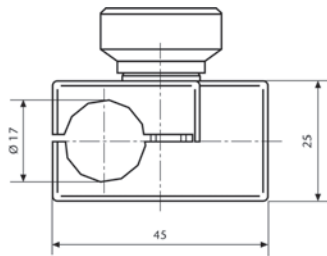
Focussing lens, P/N 258 210



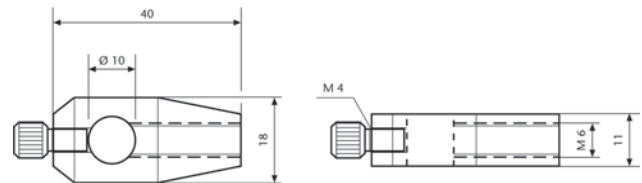
Focussing lens, P/N 158 210



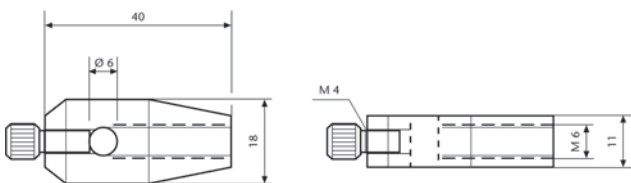
Focussing lens, P/N 158 215



Holder, P/N 157 430



Holder, P/N 158 335



Holder, P/N 158 330

Fiber Optics

**SCHOTT North America, Inc.**

62 Columbus Street

Auburn, NY 13021-3137

USA

Phone: +1315/255-2791

Fax: +1315/255-2695

E-mail: [fiberoptics.auburn@us.schott.com](mailto:fiberoptics.auburn@us.schott.com)

[www.us.schott.com/fiberoptics](http://www.us.schott.com/fiberoptics)

**SCHOTT**