



Transmitted light stage, P/N 122 150



Analyzer



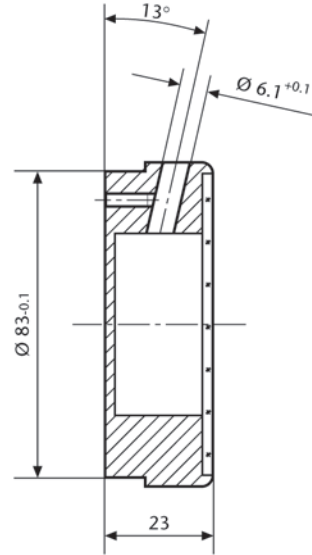
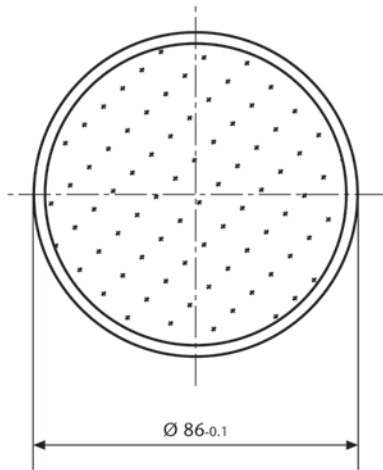
Transmitted light stage P/N 122 150 with Polarization filter P/N 158 500

Transmitted Light Stage

- Transmitted light stage for microscopy applications
- Cost effective transmitted brightfield illumination
- Can be directly inserted into the microscope stages of most major microscope manufacturers
- Small height raises approximately 20 mm above microscope stage
- Evenly illuminates a diameter of 50 mm
- Can be used with all flexible light guides with bundle diameters up to 5.0 mm
- Polarizing filters available (see table below)
- Manufactured in the EU.

	Part No.	Dimension	Suitable SCHOTT light guides
Transmitted light stage			
For KL 200, KL 1500 LCD and KLL 2500 LCD	122 150	Ø 84 mm	121 101 171 101 155 100 155 101 155 102
Polarizing filter for transmitted light stage			
Polarization filter	158 500	Turnable polarization filter attachment	
Analyser type CZ	158 505	M 49 x 0.75	
Analyser type LEICA	158 510	M 52 x 1.0	
Other analysers available from microscope optic vendors			

Transmitted Light Stage



Transmitted light stage KL 200/750

Fiber Optics

SCHOTT North America, Inc.

62 Columbus Street

Auburn, NY 13021-3137

USA

Phone: +1315/255-2791

Fax: +1315/255-2695

E-mail: fiberoptics.auburn@us.schott.com

www.us.schott.com/fiberoptics

SCHOTT