



4-point ringlight 30 mm



4-point ringlight 66 mm

## 4-Point Ringlights

### Feature:

- Four illumination spots are designed within the housing.
- Mounts directly to objective means of thumb screw.
- Housing made of rugged, black anodized aluminium.
- Fiber bundle protected with flexible metal PVC sheathing.
- Manufactured in the EU.

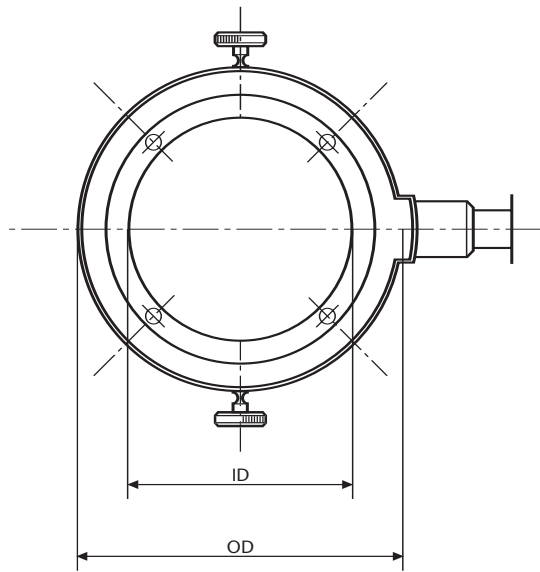
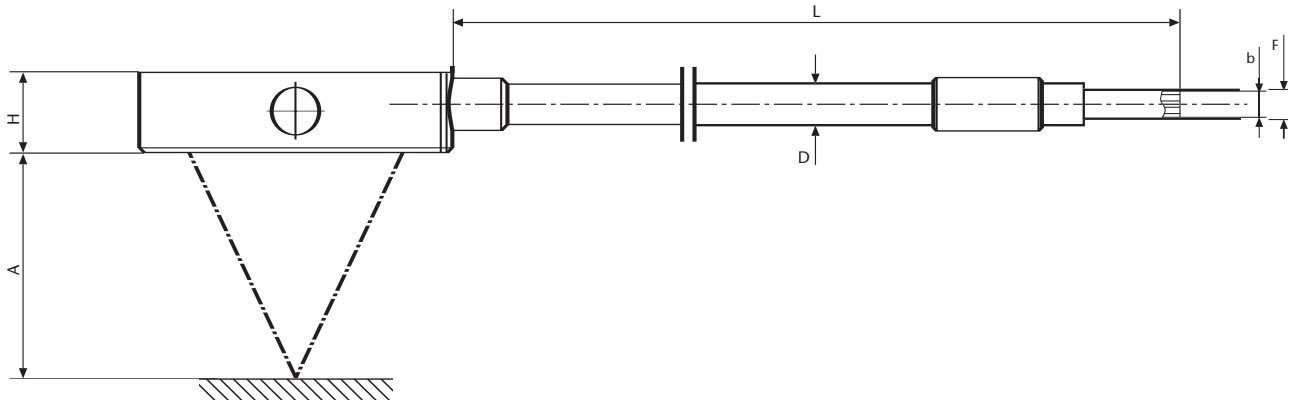
### Benefit:

- Illumination with reduced shadows, but still sufficient shadows for improved contrast.

4-Point Ringlights										
Cold light source	Part-No.	Type	Length	Inner Ø	Outer Ø	Height	Minimum working distance*	Active Ø/branch	Outer Ø Jacketing	Light source adapter Ø
			L	ID	OD	H	A	b	D	F
KL 1500 LCD KL 2500 LCD	157 401	30 mm Ø	1000 mm 39.37 inch	30 mm 1.18 inch	58 mm 2.28 inch	23 mm 0.91 inch	12 mm 0.47 inch	8 mm 0.32 inch	14 mm 0.55 inch	10 mm 0.39 inch
	157 402	66 mm Ø	1000 mm 39.37 inch	66 mm 2.60 inch	94 mm 3.70 inch	23 mm 0.91 inch	25 mm 0.98 inch	8 mm 0.32 inch	14 mm 0.55 inch	10 mm 0.39 inch

\* Ring lights usable in any working distance above given minimum values.

# 4-Point Ringlights



Fiber Optics  
**SCHOTT North America, Inc.**  
62 Columbus Street  
Auburn, NY 13021-3137  
USA  
Phone: +1315/255-2791  
Fax: +1315/255-2695  
E-mail: [fiberoptics.auburn@us.schott.com](mailto:fiberoptics.auburn@us.schott.com)  
[www.us.schott.com/fiberoptics](http://www.us.schott.com/fiberoptics)

