



Annular mini ringlight 18.5 mm

Mini Ringlights

Features:

- Continuous ring of illumination fiber within the housing.
- Mounts directly to objective by means of thumb screw.
- Optimized illumination of the mini ringlights only requires a comparably small fiber bundle diameter. This can be well illuminated by KL 200, KL 1500 LCD as well as KL 2500 LCD.
- Therefore SCHOTT Mini Ringlights have an interchangeable adapter with removable ferrules, which allows the connection to all three light sources.
- Manufactured in the EU.

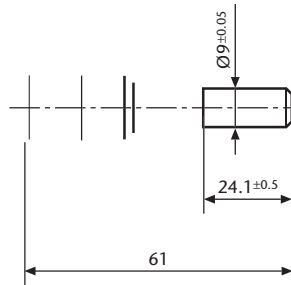
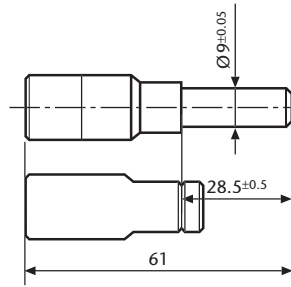
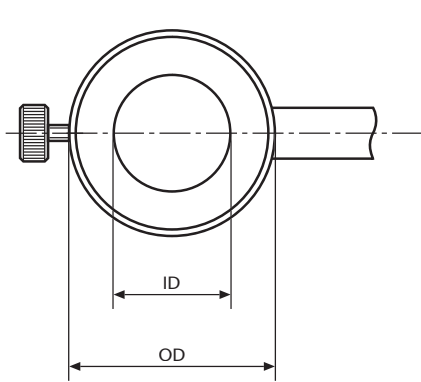
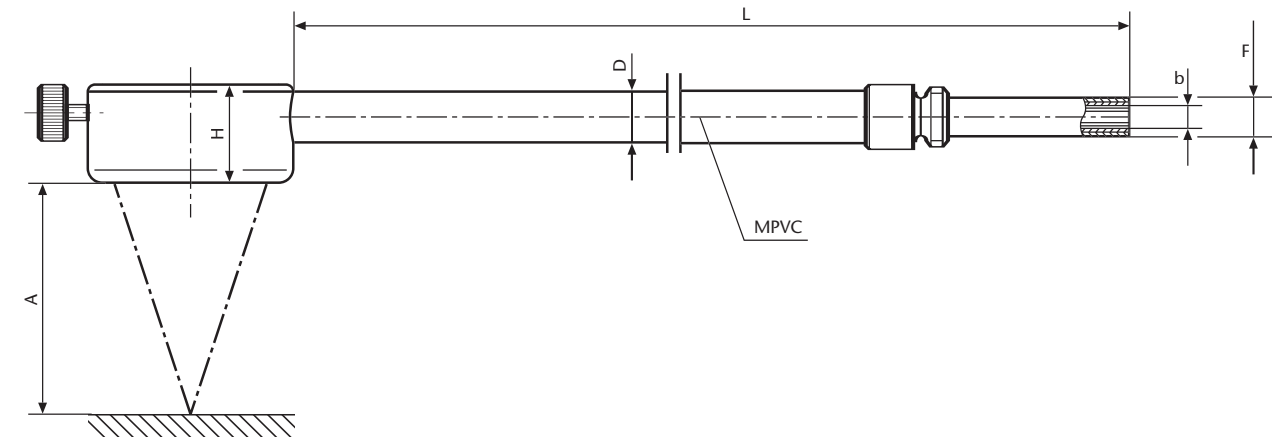
Benefits:

- Absolute shadow-free illumination.
- Small dimensions for easy handling.

Mini Ringlights									
Cold light source	Part-No.	Type	Length	Inner Ø	Outer Ø	Height	Minimum working distance*	Active Ø/branch	Outer Ø Jacketing
			L	ID	OD	H	A	b	D
KL 200	157 018	Slit-RL 18.5 mm Ø	1000 mm 39.37 inch	18.5 mm 0.73 inch	34 mm 1.34 inch	18 mm 0.71 inch	8 mm 0.31 inch	4 mm 0.16 inch	7.6 mm 0.30 inch
KL 1500 LCD	157 025	Slit-RL 22/25 mm Ø	1000 mm 39.37 inch	22/25 mm 0.87/0.98 inch	40 mm 1.58 inch	20 mm 0.79 inch	10 mm 0.39 inch	5 mm 0.20 inch	8.8 mm 0.35 inch
KL 2500 LCD	157 030	Slit-RL 30 mm Ø	1000 mm 39.37 inch	30 mm 1.18 inch	52 mm 2.05 inch	22 mm 0.87 inch	12 mm 0.47 inch	5 mm 0.20 inch	10.8 mm 0.43 inch
	157 040	Slit-RL 40 mm Ø	1000 mm 39.37 inch	40 mm 1.58 inch	64 mm 2.52 inch	24 mm 0.95 inch	15 mm 0.58 inch	7 mm 0.28 inch	11.8 mm 0.47 inch

* Ring lights usable in any working distance above given minimum values.

Mini Ringlights



Fiber Optics

SCHOTT North America, Inc.

62 Columbus Street

Auburn, NY 13021-3137

USA

Phone: +1315/255-2791

Fax: +1315/255-2695

E-mail: fiberoptics.auburn@us.schott.com

www.us.schott.com/fiberoptics

SCHOTT