



Annular ringlight Maxi 150 mm

Maxi Ringlights

Features:

- Continuous ring of illumination fiber within housing.
- Housing made of rugged, black anodized aluminium.
- Fiber bundle protected with flexible metal PVC sheathing.
- Large diameter ringlight for mounting to objective 58 mm outer diameter with adapter (part. no. 157 445).
- Manufactured in the EU.

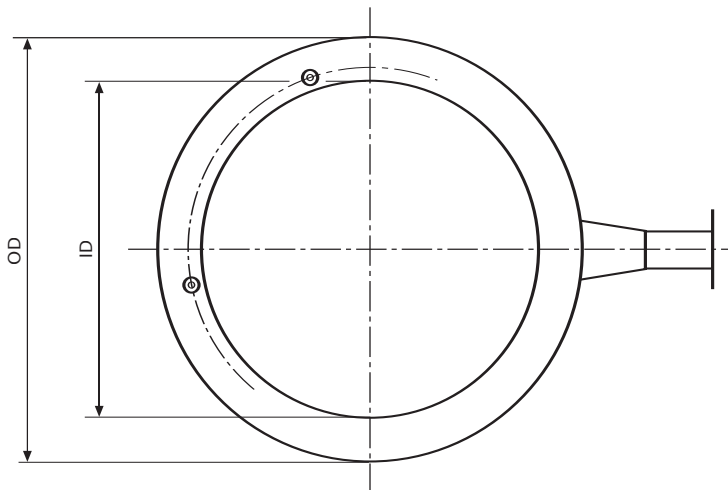
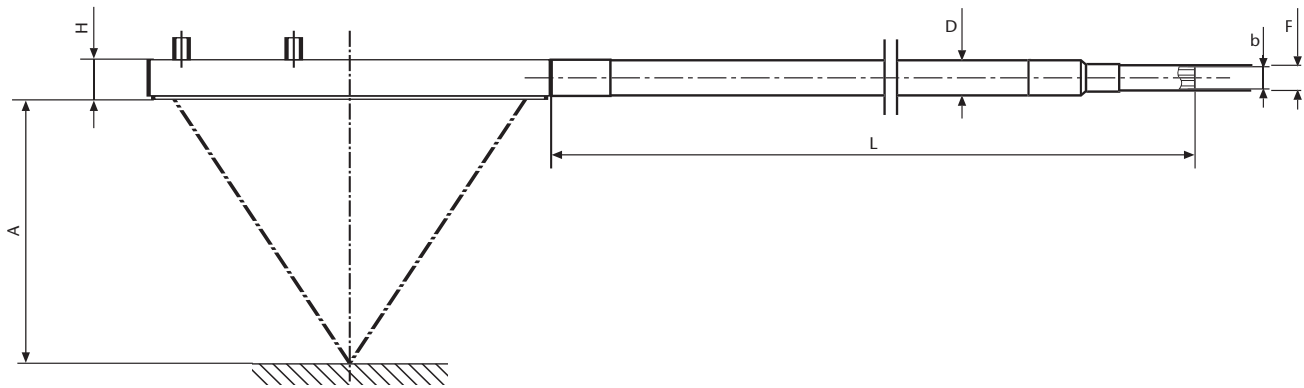
Benefit:

- Absolute shadow-free illumination for large area targets (i.e. SMD).

Maxi Ringlights										
Cold light source	Part No.	Type	Length	Inner Ø	Outer Ø	Height	Minimum working distance*	Active Ø/ branch	Outer Ø Jacketing	Light source adapter Ø
			L	ID	OD	H	A	b	D	F
KL 1500 LCD KL 2500 LCD	157 440	Slit 150 mm Ø	750 mm 29.53 inch	150 mm 5.91 inch	184 mm 7.24 inch	20 mm 0.79 inch	40 mm 1.57 inch	9 mm 0.35 inch	17 mm 0.67 inch	10 mm 0.67 inch

* Ring lights usable in any working distance above given minimum values.

Maxi Ringlights



Fiber Optics

SCHOTT North America, Inc.

62 Columbus Street

Auburn, NY 13021-3137

USA

Phone: +1315/255-2791

Fax: +1315/255-2695

E-mail: fiberoptics.auburn@us.schott.com

www.us.schott.com/fiberoptics

SCHOTT