



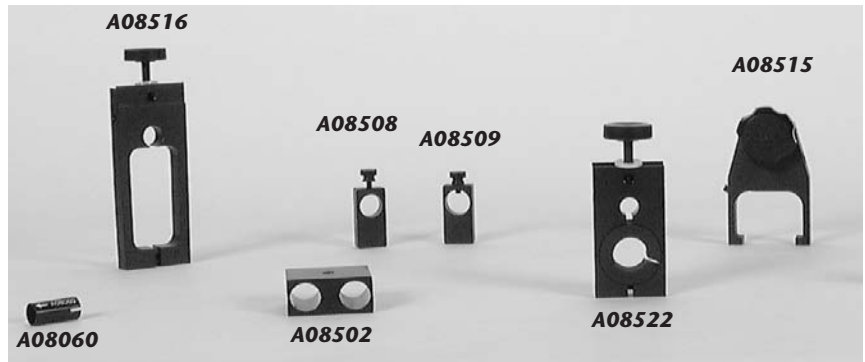
Gooseneck & Bundle Support Apparatus

For accurate positioning in both industrial and laboratory environments.

A08060

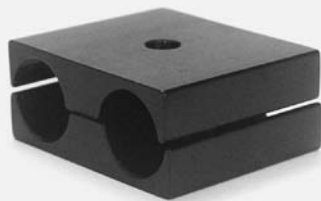


Ferrule Adapter, A08060



Gooseneck and Bundle Support Apparatus

A08502



Clamp Set, A08502

A08521



Gooseneck Bracket, A08521

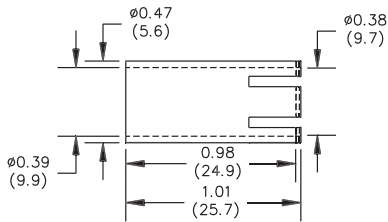
Support Apparatus

Part No.	Description
A08060	Ferrule adapter , 12 mm diameter, for Olympus SZX Microscope. Converts the distal tip of our standard bundle to fit the Olympus SZX Coaxial Illuminator and the Transmitted Light Base.
A08502	Clamp set attaches to the A08501 post and can be used with dual bundles and combination goosenecks and bundles.
A08508	Bundle holder with .565" (14.4) dia. hole for all bundle diameters up to .51" (13). Has an M6 thread.
A08509	Bundle holder with .625" (16) dia. hole for A08051.40 and A08051.60 bundles (.51" (13) active diameter). Has an M6 thread.
A08521	Gooseneck Bracket holds and positions our dual flexible gooseneck, part number A08520, to the Nikon SMZ 645/660 microscopes.
Universal Post Clamps	
A08515	Clamp for Wild Trapezoidal post
A08516	Clamp for Wild MZ Series
A08522	Clamp for 18 mm post. Zeiss IVB Stereo, IB, III, IV, IVB
A08523	Clamp for 20 mm post. Meiji EMZ-1 and Wild (old)
A08524	Clamp for 24.5 mm post. Nikon SMA-10, 1, 2T, Unitron ZST
A08525	Clamp for 25 mm post. Wild/Leica M3, M5, M7, M8, M400
A08526	Clamp for 32 mm post. Zeiss SR, SV8, D, DR, DV-4, Olympus SZH, Nikon SMZ-U
A08527	Clamp for 22 mm post. Olympus BHMJ
A08528	Clamp for 29 mm post, Jena GSZ

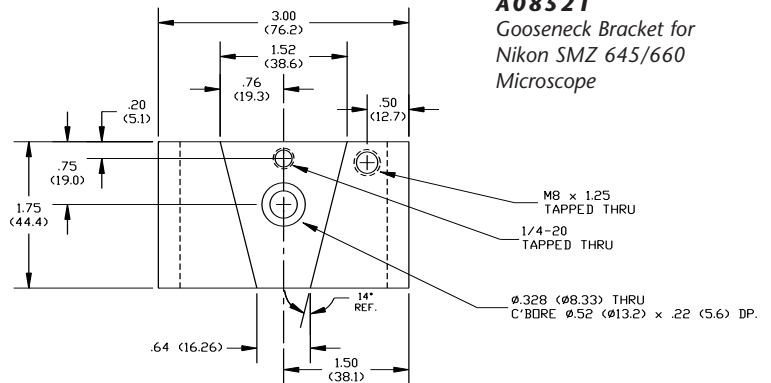
Gooseneck & Bundle Support Apparatus

Dimensions in () are in mm

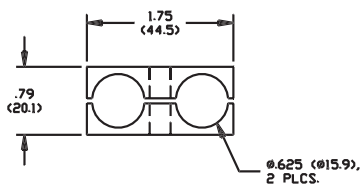
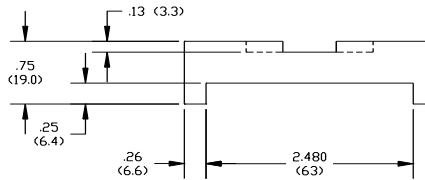
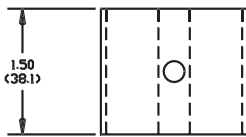
A08060
Ferrule Adapter



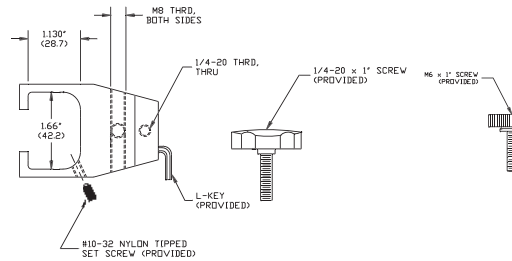
A08521
Gooseneck Bracket for Nikon SMZ 645/660 Microscope



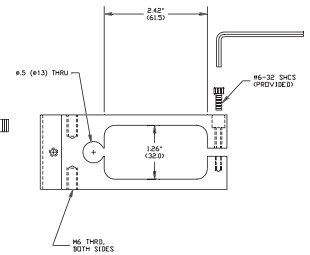
A08502
Clamp Set



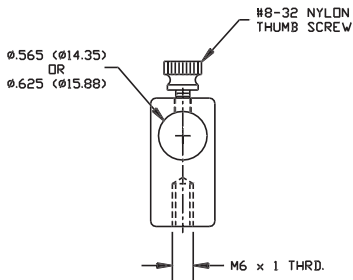
A08515
Clamp



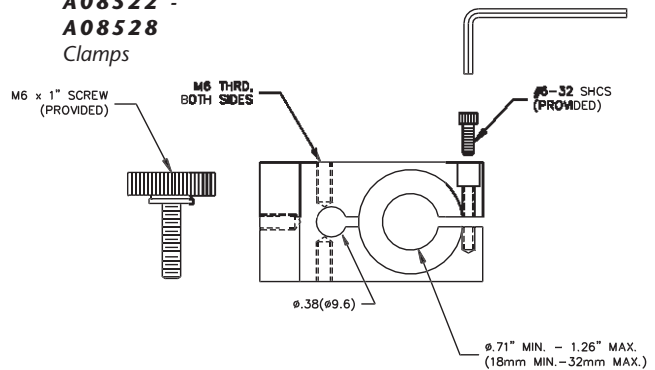
A08516
Clamp



A08508 & A08509
Bundle Holders



A08522 - A08528
Clamps



Fiber Optics

SCHOTT North America, Inc.

62 Columbus Street
Auburn, NY 13021-3137
USA

Phone: +1 315/255-2791

Fax: +1 315/255-2695

E-mail: fiberoptics.auburn@us.schott.com

www.us.schott.com/fiberoptics

SCHOTT