



Support Apparatus

For accurate positioning when using fiber optic components in industrial and laboratory environments.



Articulated Arm, A08505



Spring Clamp, A08590



Coupler, A08504



Articulated Arm, A08506



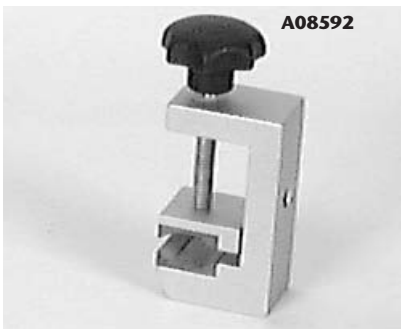
Base, A08507



Post, A08501, Post Extension, A08503



Bundle Extender Nylon Tipped Set Screws



Dual V-clamp, A08592

Support Apparatus

Part No.	Description
A08501	8" (203) Post for A08520 Combi-lightguide. Combination lightguide can be attached directly to the post.
A08503	Post Extension - extends Post, A08501, by 2.37 (60.2)
A08504	Coupler to adapt an M6 thread to a 1/4-20 hole. Makes it easy to attach many small cameras to our fully articulated support arms and V-clamps to eliminate complicated tripod arrangements.
A08505	Articulated arm with M6 thread on one end (will attach to heavy base and V-clamp) and M8 thread on the other end which will fit our A08592 dual V-clamp.
A08506	Articulated arm with M6 threads on both ends. Versatile accessory easily locked into place with only one knob. Can be used with our base and V-clamp and will accept all holders.
A08507	3 1/2 lb. Base for attaching up to three support arms and/or posts at once. M6 threads only.
A08590	Spring Clamp with M6 thread. Industrial strength universal clamp that can be used with our articulated arms to hold bundles, light lines and other equipment. Secure to tabletops or other like surfaces.
A08591	V-Clamp with two M6 threaded holes to use as a table clamp and will accept all our holders.
A08592	Dual V-Clamp is larger than a single V-clamp with two M8 threaded holes and two V-grooves. It can firmly attach to many sensitive support columns or posts without causing any damage.

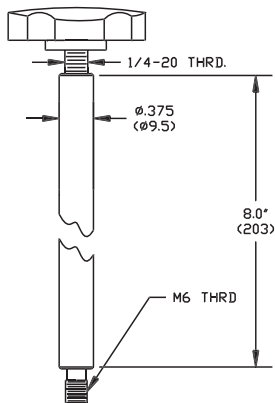
Dimensions in () are in mm

Support Apparatus

Dimensions in () are in mm

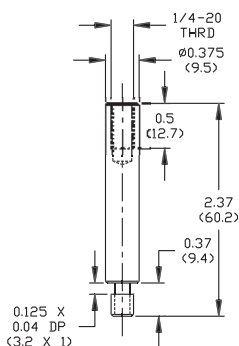
A08501

Post



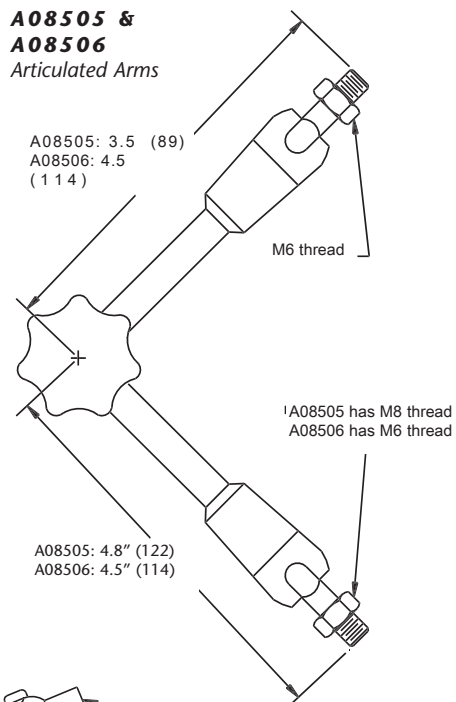
A08503

Post Extension



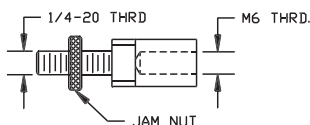
A08505 & A08506

Articulated Arms



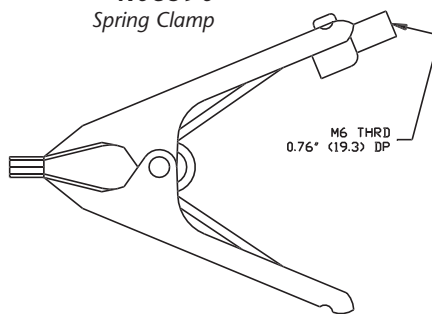
A08504

Coupler



A08590

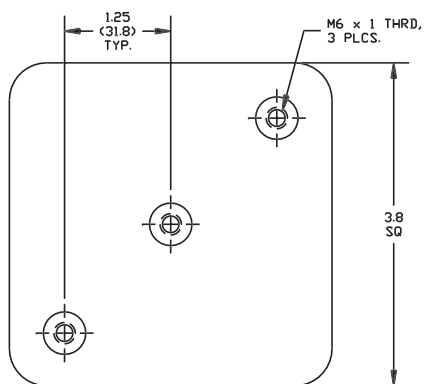
Spring Clamp



FISSO SPRING-CLAMP W/FASTENING BOLT

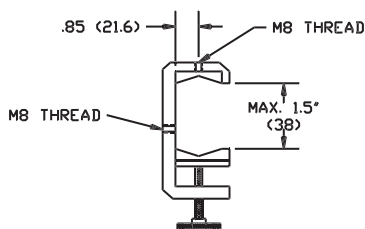
A08507

Base



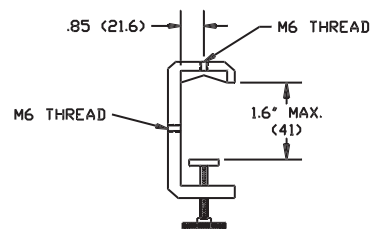
A08592

Dual V-Clamp



A08591

V-Clamp



Fiber Optics

SCHOTT North America, Inc.

62 Columbus Street

Auburn, NY 13021-3137

USA

Phone: +1315/255-2791

Fax: +1315/255-2695

E-mail: fiberoptics.auburn@us.schott.com

www.us.schott.com/fiberoptics

SCHOTT