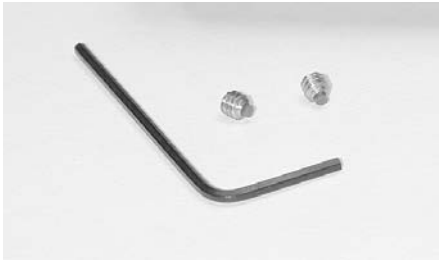


Bundle Extender, A08035



Bundle Extender Nylon Tipped Set Screws

# Bundle Extenders

Extend the working length of standard fiber optic components using a SCHOTT bundle and these couplers.

### Features

- Reduces the requirement for custom fiber optic lengths.
- Provides the user with additional work space since the light source can be placed in a more remote area.
- Extends length of all standard SCHOTT ringlights, bundles, goosenecks, lightlines, and backlights\* that have a .310" (8) or .510" (13) active fiber diameter.
  - Use Part Number A08035 with A08031.40, A08031.40R, A08031.60, A08031.60R, A08031.80, A08031.80R to extend products with an active fiber diameter of .310" (8) or less.
  - Use Part Number A08055 with A08051.40 and A08051.60 to extend products with an active fiber diameter greater than .310" (8) but less than .510" (13).
- Black anodized aluminum with nylon tipped set screws.

*PLEASE NOTE: Using a bundle extender results in a 30-40% light loss. If your application requires maximum intensity, we recommend ordering a modified standard component.*

*\*Backlight adapter, part number A08931 is required in order for the bundle extender to be used with SCHOTT standard backlights.*

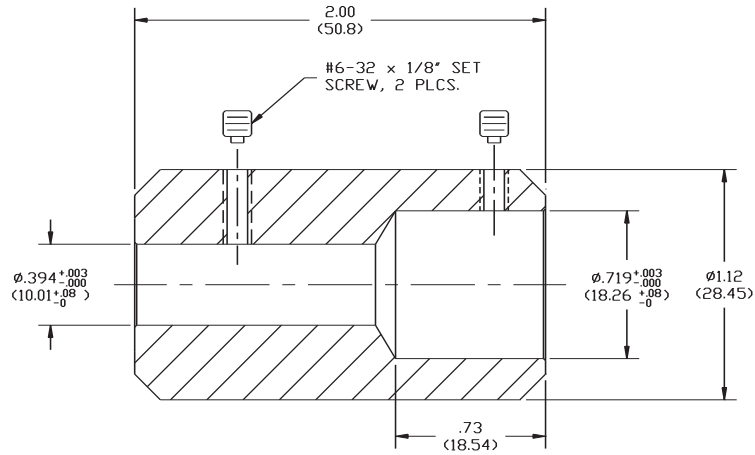
- Manufactured in the USA.

Bundle Extender	
Bundle Extender Part No.	Single Bundle Part No.
<b>A08035</b>	A08031.40
	A08031.60
	A08031.80
	A08031.40R
	A08031.60R
	A08031.80R
<b>A08055</b>	A08051.40
	A08051.60

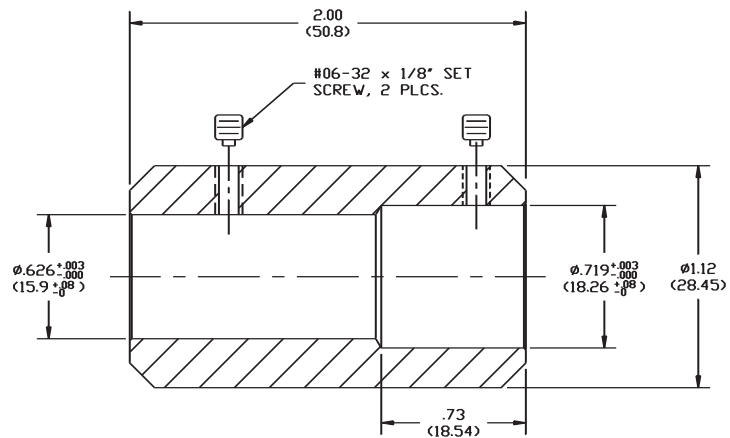
# Bundle Extenders

Dimensions in ( ) are in mm

**A08035**  
Bundle Extender



**A08055**  
Bundle Extender



Fiber Optics

**SCHOTT North America, Inc.**

62 Columbus Street

Auburn, NY 13021-3137

USA

Phone: +1315/255-2791

Fax: +1315/255-2695

E-mail: [fiberoptics.auburn@us.schott.com](mailto:fiberoptics.auburn@us.schott.com)

[www.us.schott.com/fiberoptics](http://www.us.schott.com/fiberoptics)

# SCHOTT