

A08845

(A) Lightline polarizer assembly, A08845, (B) Polarizer affixed to a 5" lightline, (C) Polarizer affixed to a cylindrical lens on a lightline

Lightline Linear Polarizer Kits

Features

- Developed for use with 3" to 16" (227 to 406 mm) lightlines to enhance contrast on highly reflective surfaces for area and line scanning applications.
- Easily mount on SCHOTT lightlines alone or with cylindrical and apertured lenses affixed to the lightline.
- The polarizer(s) should be used with an analyzer supplied by the customer. The analyzer is typically attached to the camera objective.
- Two polarizers are included in the kit; one polarizes in the horizontal axis and the other polarizes in the vertical axis.
- Manufactured in the USA.

Linear Polarizer Kits

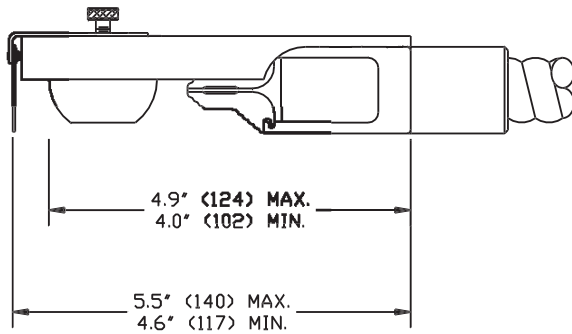
Lightline Part No.	Polarizer Kits Part No.
A08903	A08843
A08904	A08844*
A08905	A08845*
A08906	A08846
A08907*	A08847
A08908	A08848*
A08909*	A08849*
A08910	A08850
A08911*	A08851*
A08912	A08852*
A08913*	A08853*
A08914	A08854*
A08915*	A08855*
A08916	A08856
A08975	A08846

* Lead time required

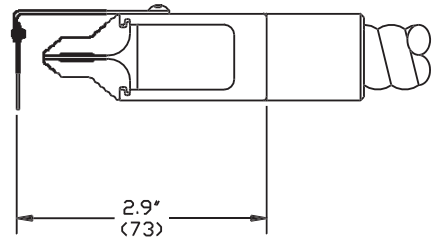
Lightline Linear Polarizer Kits

Dimensions in () are in mm

WITH LENS ASSEMBLY:



WITHOUT LENS ASSEMBLY:



A08843 - A08856
Polarizers

Fiber Optics

SCHOTT North America, Inc.

62 Columbus Street

Auburn, NY 13021-3137

USA

Phone: +1315/255-2791

Fax: +1315/255-2695

E-mail: fiberoptics.auburn@us.schott.com

www.us.schott.com/fiberoptics

SCHOTT