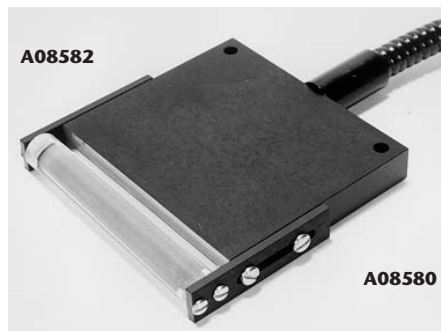


Cylindrical and apertured lenses, A08806 & A08826



3" (76 mm) Lightline with A08582 Cylindrical Lens

# Lightline Lenses

Cylindrical and apertured lenses for 1" to 16" lightlines.

## Features

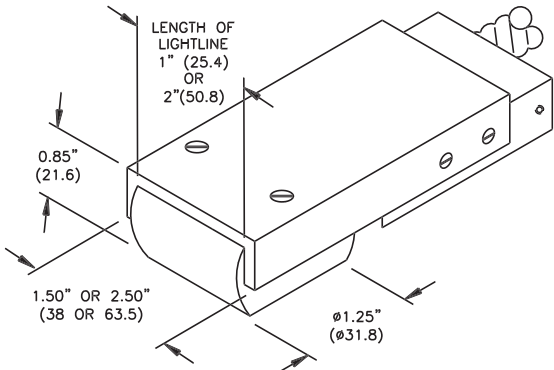
- Cylindrical and apertured lenses are available as standard products for most lightline models. They can be custom made for all models.
- Cylindrical lens attachments are designed to collect light exiting the lightline to increase intensity up to a factor of 10.
- Apertured lens attachments are designed to project a more collimated line of light, not to increase light intensity.
- The lenses are adjustable and easily attach to SCHOTT lightlines.
- Most lenses are in stock and ready to ship.
- Manufactured in the USA.

| Lenses and Polarizer Kits               |               |           |
|---|---------------|-----------|
| Lightline Part No.                      | Lens Part No. |           |
|   | Cylindrical   | Apertured |
| <b>1", 2", &amp; 3" Lightlines</b>      |               |           |
| A08579                                  | A08571        | A08573    |
| A08580                                  | A08582        | Custom    |
| A08583                                  | A08572        | A08574    |
| A08584                                  | A08572        | Custom    |
| A08588                                  | A08571        | A08573    |
| A08589                                  | A08572        | A08574    |
| <b>3" to 16" Continuous Lightlines</b>  |               |           |
| A08903                                  | A08823        | A08803    |
| A08904                                  | A08824        | A08804    |
| A08905                                  | A08825        | A08805    |
| A08906                                  | A08826        | A08806    |
| A08907*                                 | A08827*       | A08807*   |
| A08908                                  | A08828        | A08808    |
| A08909*                                 | A08829*       | A08809*   |
| A08910                                  | A08830        | A08810    |
| A08911*                                 | A08831*       | A08811*   |
| A08912                                  | A08832        | A08812    |
| A08913*                                 | A08833*       | A08813*   |
| A08914                                  | A08834        | A08814    |
| A08915*                                 | A08835*       | A08815*   |
| A08916                                  | A08836        | A08816    |
| A08975                                  | A08826        | A08806    |
| <b>24" to 40" Continuous Lightlines</b> |               |           |
| A08940                                  | A08860        | Custom    |
| A08964                                  | A08864        | Custom    |
| <b>45 Degree Lightline</b>              |               |           |
| A24006                                  | Custom        | Custom    |

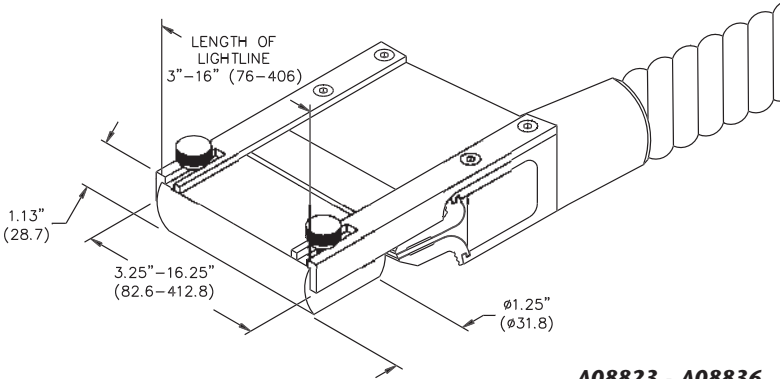
\*Lead time required.

# Lightline Lenses

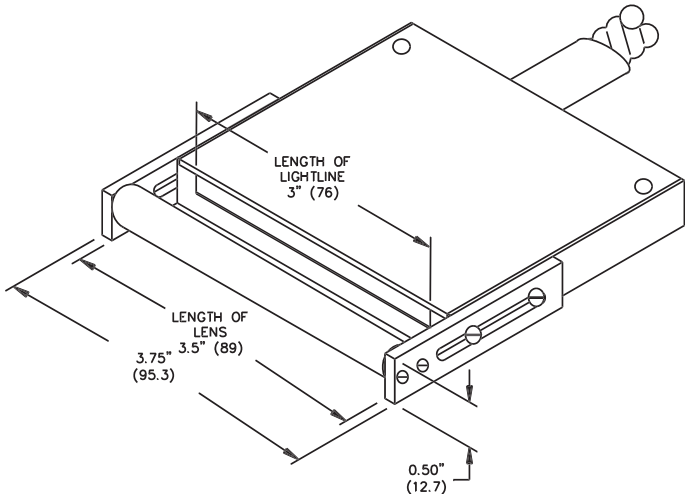
Dimensions in ( ) are in mm



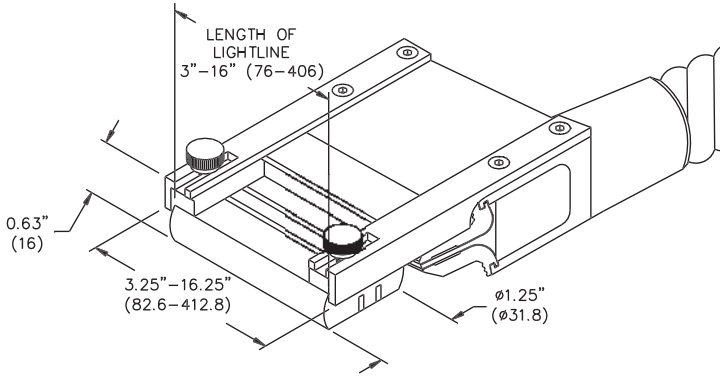
**A08571 - A08574**  
Cylindrical and Apertured Lenses



**A08823 - A08836**  
Cylindrical Lenses



**A08582**  
Cylindrical Lens



**A08803 - A08816**  
Apertured Lenses

Fiber Optics  
**SCHOTT North America, Inc.**  
62 Columbus Street  
Auburn, NY 13021-3137  
USA  
Phone: +1315/255-2791  
Fax: +1315/255-2695  
E-mail: [fiberoptics.auburn@us.schott.com](mailto:fiberoptics.auburn@us.schott.com)  
[www.us.schott.com/fiberoptics](http://www.us.schott.com/fiberoptics)

