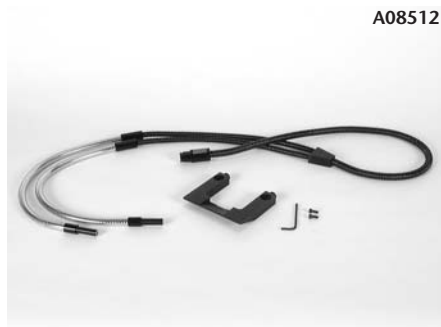


Combination Dual Gooseneck with Bundle, A08520



Combination Gooseneck, Bundle, and Bracket, A08512 for Olympus SZX Series Microscopes

Combination Goosenecks & Bundles

Obedient, incident illumination for space constrained applications.

Features

- The bundle sheathing is made of PVC covered metal tubing and the gooseneck is made of semi-obedient, chrome-plated metal gooseneck tubing.
- Bend radius of the chrome gooseneck tubing is 2-3" (51 - 76)*.
- The standard output ferrules accept spot lenses with or without polarizing caps. (See Accessories section of the product catalog for details.)
- Standard input accepts our Dichroic color filters, diffusers and fits ColdVision Series light sources.
- Custom configurations are available. Lead time is required.
- Manufactured in the USA.

Advantages

- Precise positioning of a spot of light.
- Gooseneck legs placed in opposing positions create shadow-free illumination.
- Re-adjust with ease.
- Dual models illuminate a workspace with a single light source.

Options

- Gooseneck bracket, A08521 was designed to hold dual flexible gooseneck, A08520, to the Nikon SMZ 645/660 Microscope. See Support Apparatus for Goosenecks and Bundles section in the product catalog.

Combination Goosenecks and Bundles						
Part No.	Active Input Fiber	Active Output Fiber Diameter	Bundle Tubing Diameter	Gooseneck Tubing Diameter	Bundle Length Diameter	Gooseneck Length
Combination Goosenecks and Bundle(s)						
A08510	.30" (8)*	.21" (5)	.47" (12)	.46" (12)	17" (432)	8.5"(216)
A08512	.30" (8)	.21" (5)	.47" (12)	.46" (12)	29" (737)	17"(432)
A08520	.30" (8)	.21" (5)	.47" (12)	.46" (12)	30" (762)	18"(457)
A08520.60	.30" (8)	.21" (5)	.47" (12)	.46" (12)	60" (1524)	18"(457)

*Dimensions in () are in mm

Combination Goosenecks & Bundles

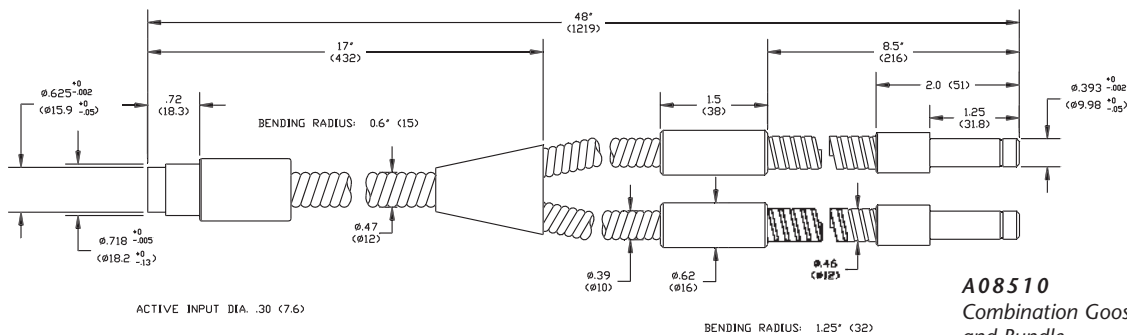
Dimensions in () are in mm

Ringlight Input: Black Anodized Aluminum

Bundle Sheathing: PVC Covered Metal Tubing

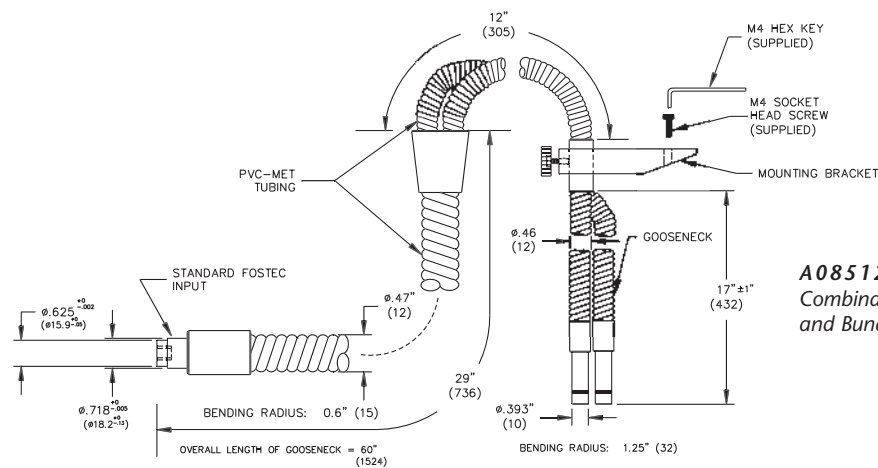
Gooseneck Sheathing: Chrome Plated Steel

Warning: This product is manufactured with glass fiber. Not for use in cable/hose carrier. Call SCHOTT to discuss moving cable/hose carrier applications.



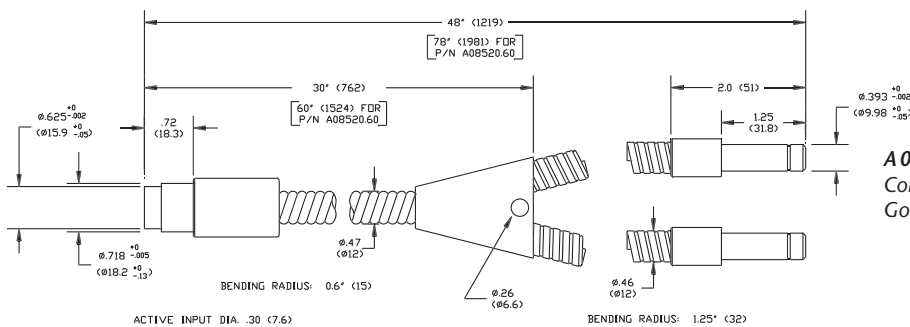
ACTIVE INPUT DIA. .30 (7.6)

BENDING RADIUS: 1.25" (32)



OVERALL LENGTH OF GOOSENECK = 60" (1524)

BENDING RADIUS: 1.25" (32)



ACTIVE INPUT DIA. .30 (7.6)

BENDING RADIUS: 1.25" (32)

Fiber Optics

SCHOTT North America, Inc.

62 Columbus Street

Auburn, NY 13021-3137

USA

Phone: +1315/255-2791

Fax: +1315/255-2695

E-mail: fiberoptics.auburn@us.schott.com

www.us.schott.com/fiberoptics

SCHOTT