



Reflector Ring, A08616



Reflector Ring, A08653

Ringlight Reflector Rings

A08616 Reflector Ring Features

Reflector ring creates special lighting effects.

- Illuminates scratches on highly reflective surfaces.
- The A08616 reflector ring fits our Universal and 66 mm series of ringlights. See chart below for part numbers.
- The A08616 reflector ring comes in two separate parts; the retaining ring and the reflector ring. The reflector ring drops inside the retaining ring which snap-fits onto the ringlight.
- The reflector ring is made of mirror polished aluminum. The retaining ring is made of aluminum with a black anodized finish.
- In stock and ready to ship.

A08653 Reflector Ring Features

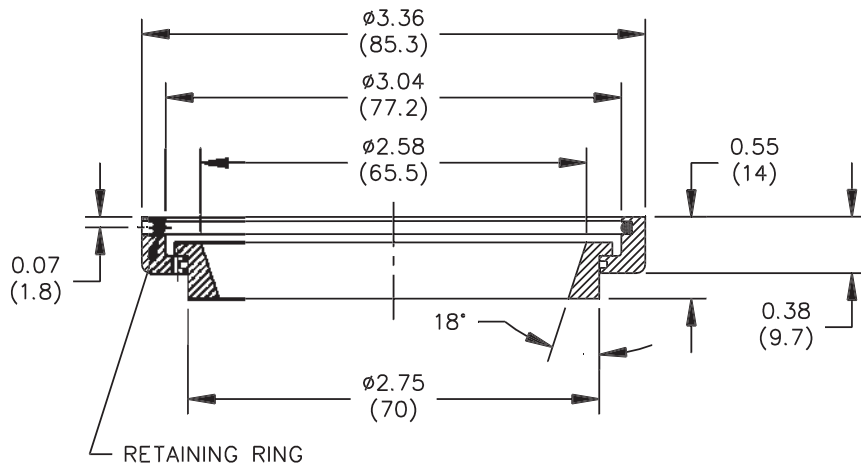
Reflector ring creates a radial "light sheet" for oblique lighting effects.

- Creates darkfield effects which illuminates scratches on highly reflective surfaces.
- The A08653 reflector ring fits our A08660 and A08670 Mini ringlights.
- The A08653 reflector ring is pre-assembled; the retaining ring comes attached to a parabolic reflector ring. This product also snap-fits onto the ringlight.
- The reflector ring is made of mirror polished aluminum. The retaining ring is made of aluminum with a black anodized finish.
- In stock and ready to ship.
- Manufactured in the USA.

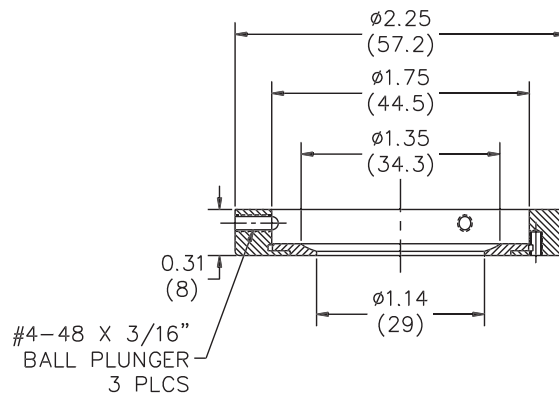
Ringlight Reflector Rings	
Part No.	Ringlights
A08616	A08600, A08603, A08604, A08620, A08625, A08680
A08653	A08660, A08670

Ringlight Reflector Rings

Dimensions in () are in mm



A08616 Ringlight Reflector Ring



A08653 Ringlight Reflector Ring

Fiber Optics

SCHOTT North America, Inc.

62 Columbus Street

Auburn, NY 13021-3137

USA

Phone: +1315/255-2791

Fax: +1315/255-2695

E-mail: fiberoptics.auburn@us.schott.com

www.us.schott.com/fiberoptics

SCHOTT