



Polarizer/Analyzer, A08615



Polarizer, A08712

*Dimensions in () are in mm

^Polarizer ring only. User must supply analyzer.

Ringlight Polarizers & Analyzers

The polarizing effect enhances contrast on highly reflective surfaces for Microscopy and Machine Vision Applications.

Standard Features

- The polarizer/analyzer reduces reflection and glare.
- The A08615, A08632, and A08652 polarizers were designed to easily snap-fit onto the ringlight. The analyzer is dropped through the top of the ringlight and positioned on top of the polarizer.
- To prevent the polarizer/analyzer from moving due to vibration, a knurled thumb-screw locks the polarizer assembly into position. In addition, it makes the holder easier to adjust. To further prevent vibration, a set-screw stops the polarizer disk from turning within the assembly. These features are found on polarizer / analyzer model numbers A08615 and A08627.
- Manufactured in the USA.

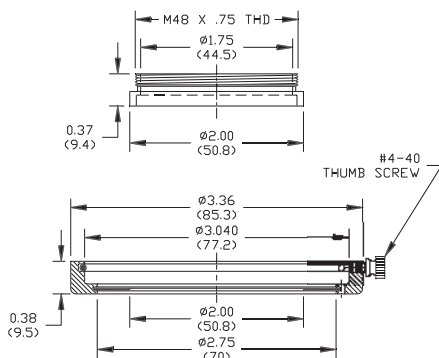
Polarizers & Analyzers

Part No.	Corresponding Ringlights
A08615	A08600, A08603, A08604, A08620, A08625, A08680, A22000, A22025
A08627	A08625 & Olympus Adapter, part number A08626
A08632	A08630, A08635
A08652*	A08650, A08660, A08670
A08705^	A08700
A08712^	A08710, A08715
A22042	A22040
A22052	A22050, A22060

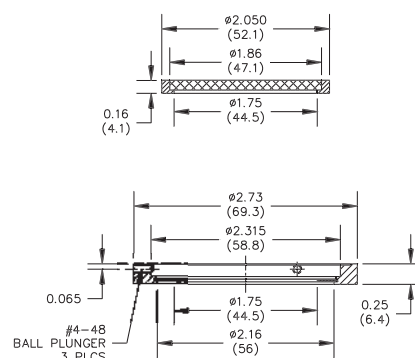
Ringlight Polarizers & Analyzers

Dimensions in () are in mm

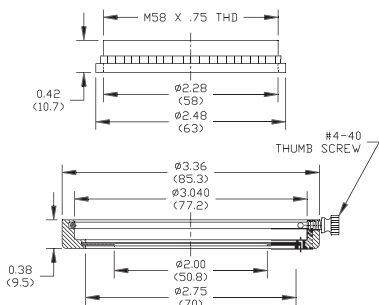
A08627
Polarizer/Analyzer



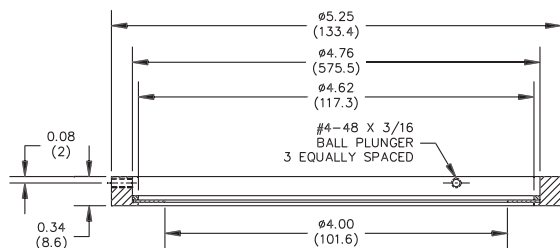
A08632
Polarizer/Analyzer



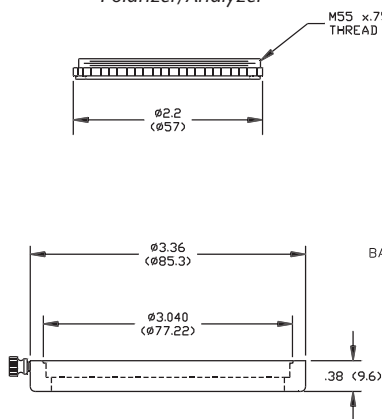
A08615
Polarizer/Analyzer



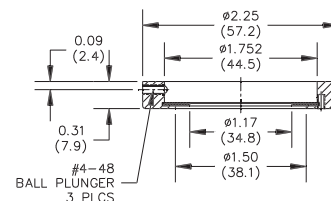
A08705
Polarizer/Analyzer



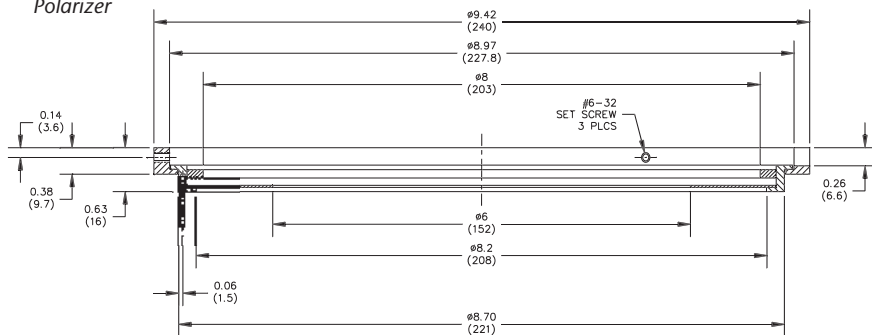
A22042
Polarizer/Analyzer



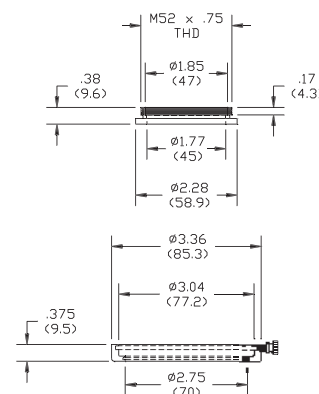
A08652
Polarizer



A08712
Polarizer



A22052
Polarizer/Analyzer



Fiber Optics

SCHOTT North America, Inc.

62 Columbus Street

Auburn, NY 13021-3137

USA

Phone: +1315/255-2791

Fax: +1315/255-2695

E-mail: fiberoptics.auburn@us.schott.com

www.us.schott.com/fiberoptics

SCHOTT