



Four-Point Illuminator, A08560



Darkfield Illuminator, A08640, Adapter, A08645 and Spacer Ring, A08644

# Four-Point Illuminators

The perfect ringlight for variable working distance applications.

### Features

- Four-bundle adjustable ringlight.
- Allows the user to change the overall working distance and the angle of each light output to produce the most effective illumination for each application.
- Easy bundle repositioning.
- The bundle tips are 3" (76.2) long and the overall bundle length is 40" (1016).
- Active fiber diameter input is .29" (7.4) and the active fiber diameter output is .14" (3.5) for each bundle.
- The unique clamp ring mounting (like the A08600 ringlight) provides precise positioning. The available clamp diameters are listed in the chart to the left.

# Darkfield Illuminator

For uniform darkfield illumination.

### Features

- Fiber optic full annular ring configuration.
- Dovetail adapters for a variety of microscopes attach to slide the illuminator into place under the microscope stage. See chart on left for adapter specifications. Please note that a spacer ring, A08644, is required for the A08645 model adapter.
- Does not interfere with microscope operation.
- Light exits at a nominal 20° horizontal angle and will illuminate a 1" (25.4)\* diameter area.
- Ringlight comes with a fixed size aperture to shield optics from light.
- Working distance from .10" (2.5) to .38" (9.7).
- Optional Iris Aperture allows adjustment of the darkfield spot size for light sensitive applications.
- Manufactured in the USA.

Four-Point Illuminators	
Part No.	Clamp Diameters
A08560	1.85" - 2.44" (47 - 62)
A08560.1	1.30" - 1.81" (33 - 46)
A08560.2	2.52" - 3.18" (64 - 81)

Darkfield Illuminator & Accessories	
Part No.	Description
A08640	Darkfield Illuminator
A08641	Iris Aperture
A08644	Darkfield Spacer Axio 2 for A08645 Adapter
Dovetail Adapters	
A08645	Dovetail Adapter for Zeiss Axioplan (see A08644)
A08646	Dovetail Adapter for Leitz Laborlux, DMR
A08647	Dovetail Adapter for Olympus
A08648	Dovetail Adapter for Nikon
A08649	Dovetail Adapter for Zeiss Axioskop



# Four-Point Illuminators

Dimensions in ( ) are in mm

**Ringlight Input:** Black Anodized Aluminum

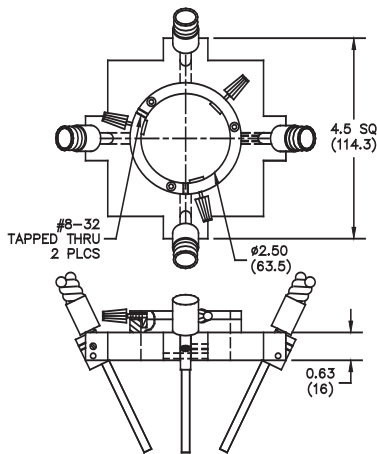
**Bundle Sheathing:** PVC Covered Metal Tubing or Stainless Steel

**Body:** Black Anodized Aluminum

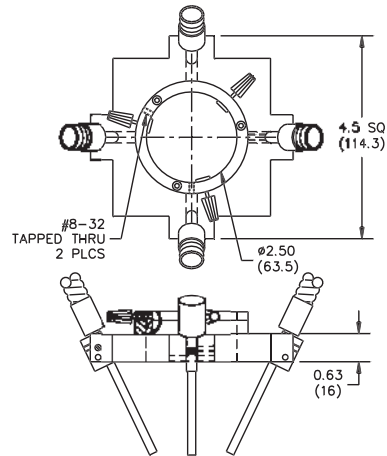
**Distal End:** Stainless Steel

**Warning:** This product is manufactured with glass fiber. Not for use in cable/hose carrier. Call SCHOTT to discuss moving cable/hose carrier applications.

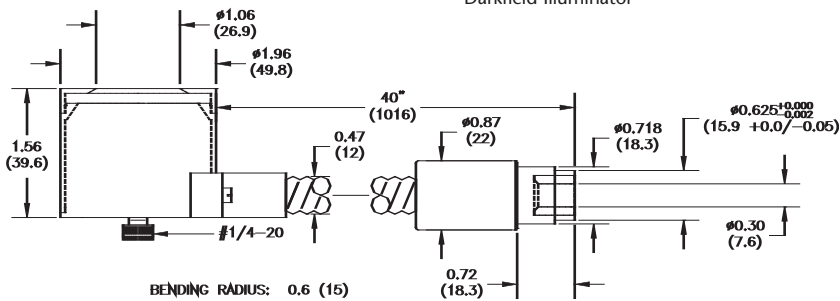
**A08560, A08560.1 & A08560.2**  
Four-Point Illuminators



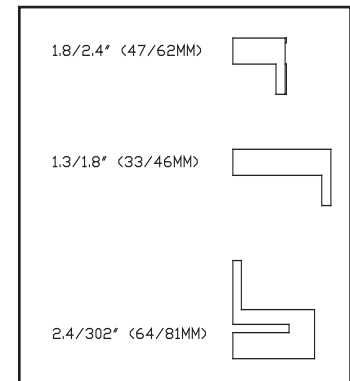
**A08560** Four-Point Illuminator Bundle



**A08640**  
Darkfield Illuminator



**Clamps for Four-Point Illuminators**



Dimensions in ( ) are in mm

Fiber Optics

**SCHOTT North America, Inc.**

62 Columbus Street

Auburn, NY 13021-3137

USA

Phone: +1315/255-2791

Fax: +1315/255-2695

E-mail: [fiberoptics.auburn@us.schott.com](mailto:fiberoptics.auburn@us.schott.com)

[www.us.schott.com/fiberoptics](http://www.us.schott.com/fiberoptics)

# SCHOTT