



4" Ringlight, A08700



8" Ringlight, A08710

Large Ringlights

SCHOTT ringlights emit intense, uniform, and shadow-free illumination for Machine Vision and Microscopy applications.

4" Ringlight, Part Number A08700

- Fiber ring diameter is 4.5" (114*).
- Working distance ranges from 2" to 8" (51 to 203).
- Light exits at 40 degree angle for specular-free illumination.
- Randomized fiber bundle maximizes uniformity.
- The ringlight body is made of rugged, black anodized aluminum and the fiber bundle is protected with flexible PVC covered metal tubing.
- Adapter part number A08702 is available for direct camera and/or lens mounting. Clamp, part number, A08525, can also be used for mounting. See Support Apparatus section of the product catalog for details.
- Use ringlights with our Dichroic color filters, diffusers and polarizers for alternative lighting effects (customer supplies analyzer).
- Input fits all ColdVision light sources.
The ringlights can be used with other manufacturer's continuous light sources. Adapters may be required.

8" Ringlight, Part Numbers A08710, A08715

- Low Profile ringlights for working distances from 2.5" to over 4.5 (64 to 114)
- #1/4-20 mounting threads in the coupler (front and top).
- The ringlight body is made of rugged, black anodized aluminum and the fiber bundle is protected with stainless steel tubing.
- Use ringlights with our Dichroic color filters, diffusers, and polarizers for alternative lighting effects. Filters and diffusers will require an adapter, part number A08931, due to the size of the input. Customer supplies analyzer.
- Input fits all ColdVision light sources. The ringlights can be used with other manufacturer's continuous light sources.
- Manufactured in the USA.

*Dimensions in () are in mm

Large Ringlights				
Part No.	ID	OD	Working Distance	Bundle Length
A08700	4" (102)	9.98" (127)	2" - 8" (51 - 203)	30" (762)
A08710	7.5" (191)	8.95" (227)	2.5" - 4.5" (64 - 114)	40" (1016)
A08715	7.5" (191)	8.95" (227)	Over 4.5" (Over 114)	40" (1016)

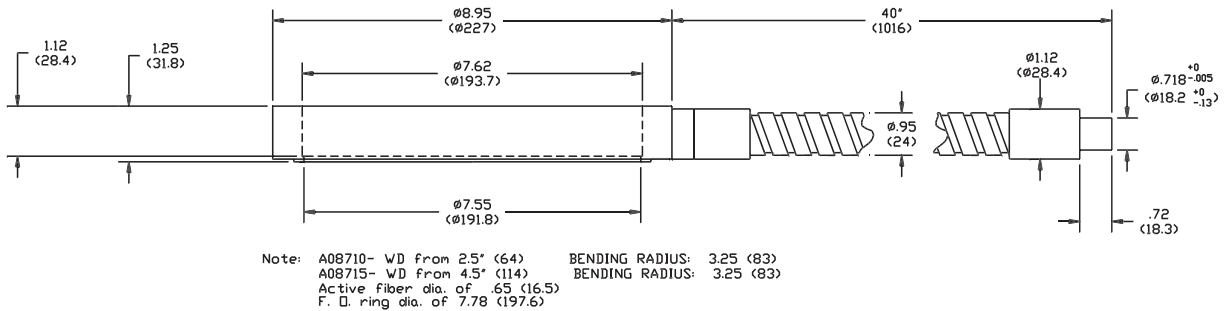
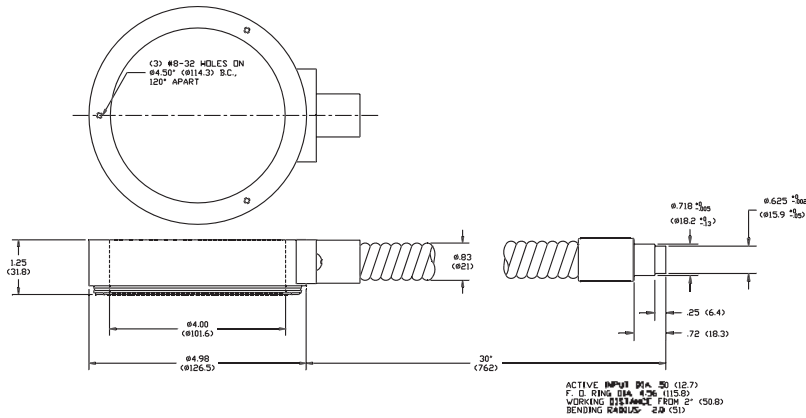
Large Ringlights

Dimensions in () are in mm

Ringlight Input: Black Anodized Aluminum

Bundle Sheathing: PVC Covered Metal Tubing or Stainless Steel

Warning: This product is manufactured with glass fiber. Not for use in cable/hose carrier. Call SCHOTT to discuss moving cable/hose carrier applications.



Dimensions in () are in mm

Fiber Optics

SCHOTT North America, Inc.

62 Columbus Street

Auburn, NY 13021-3137

USA

Phone: +1315/255-2791

Fax: +1315/255-2695

E-mail: fiberoptics.auburn@us.schott.com

www.us.schott.com/fiberoptics

SCHOTT