



Universal Ringlight, A08600



ESD Universal Ringlight, A22000



Vertical Exit Universal Ringlight, A08620

Universal Ringlights

For 33 to 81 mm Objective Diameters

SCHOTT ringlights emit intense, uniform, and shadow-free illumination for Machine Vision and Microscopy applications.

Standard Features

- Fits microscope and camera objectives from 33 to 81 mm depending on the model number. See chart below to select ringlight part number based on objective diameters.
- 33" (838) bundle length on all models.
- The ringlight body is made of rugged, black anodized aluminum and the fiber bundle is protected with flexible PVC covered metal tubing except the ESD (Electro Static Discharge) models.
- ESD ringlights are made conductive by replacing the black anodized finish with a conductive finish and the PVC metal tubing with stainless steel tubing. Each ringlight is checked for conductivity from inner body to light source adapter.
- Unique clamping/mounting system for precise positioning. Most ringlights fit directly onto the microscope and camera objective without adapters. See Support Apparatus for Ringlights section of the product catalog for details.
- Input fits all ColdVision light sources. Ringlights can be used with other manufacturer's continuous light sources. Adapters may be required.
- Use ringlights with our Dichroic color filters, diffusers, polarizer/analyzers, and reflector rings for alternative lighting effects.
- Vertical exit bundle option increases work space and prevents the bundle from interfering with surrounding objects.
- Modified standard and custom ringlights are also available for your unique requirements.
- Manufactured in the USA.

Universal Ringlights							
Part No.	Standard Exit	Vertical Exit	ESD	Minimum Working Distance	Objective Diameter	Mounting	Polarizer/ System Analyzer
A08600	X			1.5"	47 to 62 mm	Clamps	A08615
A08603	X			1.5"	33 to 46 mm	Clamps	A08615
A08604	X			1.5"	64 to 81 mm	Clamps	A08615
A08620		X		1.5"	47 to 62 mm	Clamps	A08615
A22000			X	1.5"	47 to 62 mm	Clamps	N/A

Universal Ringlights

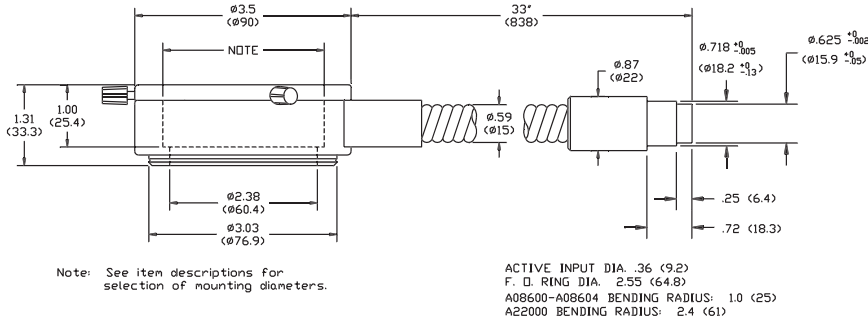
Dimensions in () are in mm

Ringlight Input: Black Anodized Aluminum or Conductive Finish

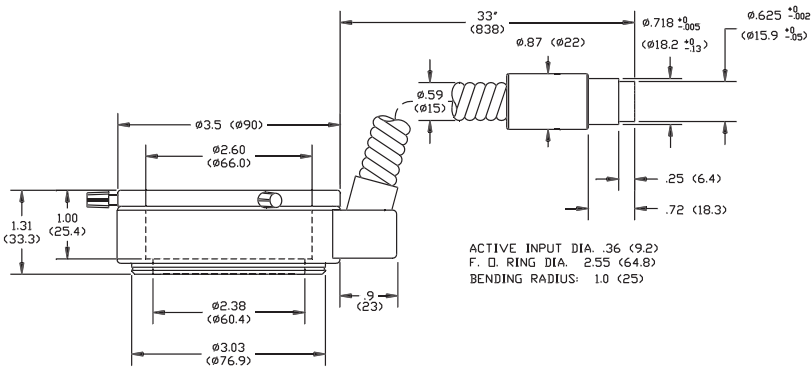
Bundle Sheathing: PVC Covered Metal Tubing or Stainless Steel

Working Distance: 1.5" to 6" (38 to 152)

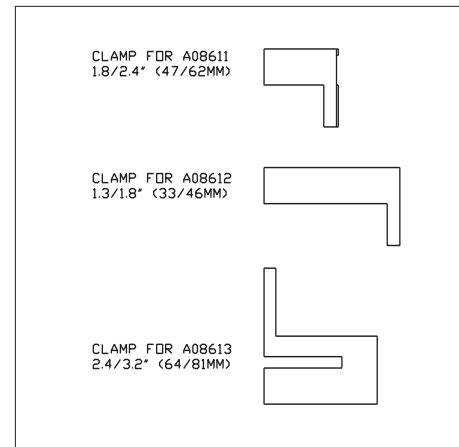
Warning: This product is manufactured with glass fiber. Not for use in cable/hose carrier. Call SCHOTT to discuss moving cable/hose carrier applications.



A08600 - A08604 & A22000 - 33 / 81 mm Ringlights



A08620 - 47 / 62 mm Ringlight with Vertical Exit



See Support Apparatus Section of the Product Catalog for more details on Ringlight Clamps

Fiber Optics

SCHOTT North America, Inc.

62 Columbus Street

Auburn, NY 13021-3137

USA

Phone: +1315/255-2791

Fax: +1315/255-2695

E-mail: fiberoptics.auburn@us.schott.com

www.us.schott.com/fiberoptics

SCHOTT