



DCR® III Remote Light Source Kit (light source not included)

DCR® III Remote Light Source Kit

Adds to the features of the DCR® III by allowing remote operation of the lamp head for energy chain and robot arm applications.

Standard Features

- Lightweight design - perfect for robotic arm applications.
- Intrinsically rugged design. Simple components in light head allow for operation in potentially harmful environments, while DCR® III power supply remains at a safe distance.
- 10' shielded extension cord allows product to be used in dynamic applications where a fiber optic bundle may fail in time.
- Light source connection includes modulamp nose piece to maintain airflow in the DCR® III power supply.
- CSA approved to UL spec, CE compliant to low voltage and EMC directives.
- Quiet rear exhaust fan.
- Modulamp® not included.
- This product is not compatible with the DCR® or DCR® II light sources.
- Manufactured in the USA.



Universal Light Source

Universal Light Source

For applications where DC power is already available and the need for an economical light source exists.

Standard Features

- Many of the same functional features as the Remote Light Source Kit.
- Includes Modulamp®.
- Connectors are included.
- Power cable supplied by customer.
- CE compliant to low voltage directive.
- Will accept any MR-16 halogen lamp up to 150W/21V.
- Manufactured in the USA.

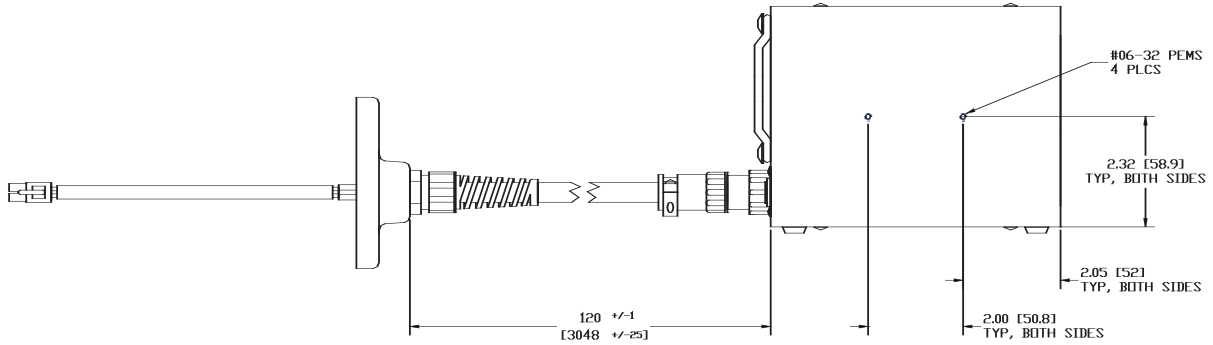
Light Source Accessories

Part No.	Description
A20850	DCR® III Remote Light Source Kit
A20855	Universal Light Source

DCR® III Remote Light Source Kit

Dimensions in () are in mm

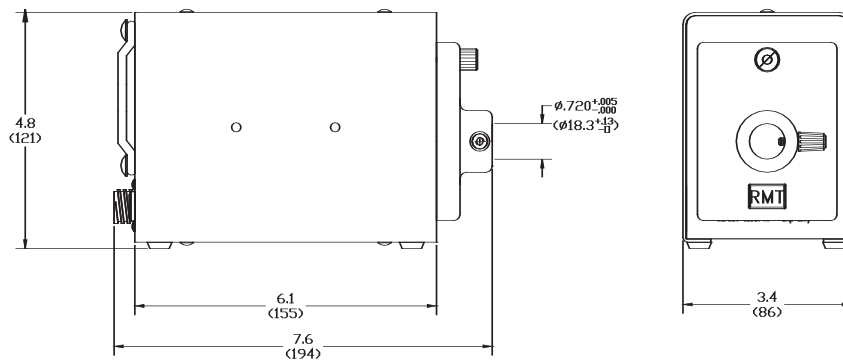
A20850



Universal Light Source

Dimensions in () are in mm

A20855



Input: 0 – 21 VDC

Fiber Optics

SCHOTT North America, Inc.

62 Columbus Street

Auburn, NY 13021-3137

USA

Phone: +1315/255-2791

Fax: +1315/255-2695

E-mail: fiberoptics.auburn@us.schott.com

www.us.schott.com/fiberoptics

SCHOTT