



LABVIEW® Driver, manuals, demo software, 5" Velcro® mounting strip, and wall transformer for the RS232 Interface.



RS232 Single Cable with Plug, A20661

RS232 Interface

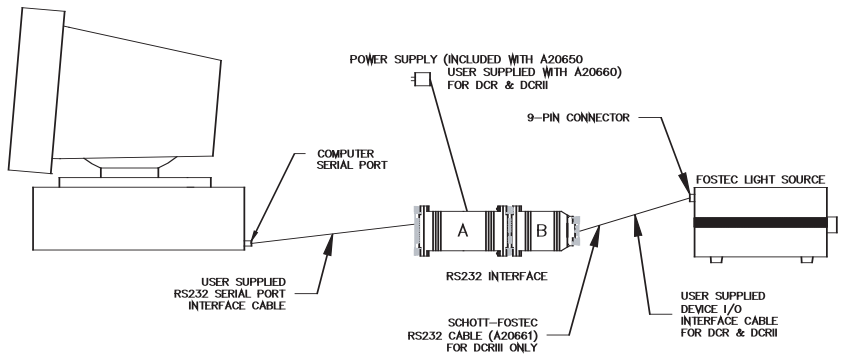
A modular approach to computer control.

Standard Features

- Can be used with any device requiring 0 to 5 volt control voltage input.
- Scaling feature can convert output to 0.0 to 2.5 volts.
- Permits full range intensity control.
- A single RS232 interface controls the intensity of up to three light sources. The intensity setting can vary for each.
- Lamp on/off feature is independent of intensity control. Manage on/off function of multiple light sources as one unit (DCR®II and DCR®III only).
- For maximized control from your computer, SCHOTT offers single, dual and triple RS232 cables (for DCR®III series light sources only). This gives the computer the added capability of reading lamp failure.
 - User must supply standard cables when connected to DCR® and DCR®II series light sources.
- When used with SCHOTT's RS232 cables the interface can be powered from the 9-pin connector on the DCR®III light source, therefore a power supply is not required.
- RS232 single, dual, and triple cables are sold separately.
- Comes with LABVIEW® Driver, manuals, demo software and 5" Velcro® mounting strip.
- CE compliant.
- One year warranty.
- Manufactured in the USA.

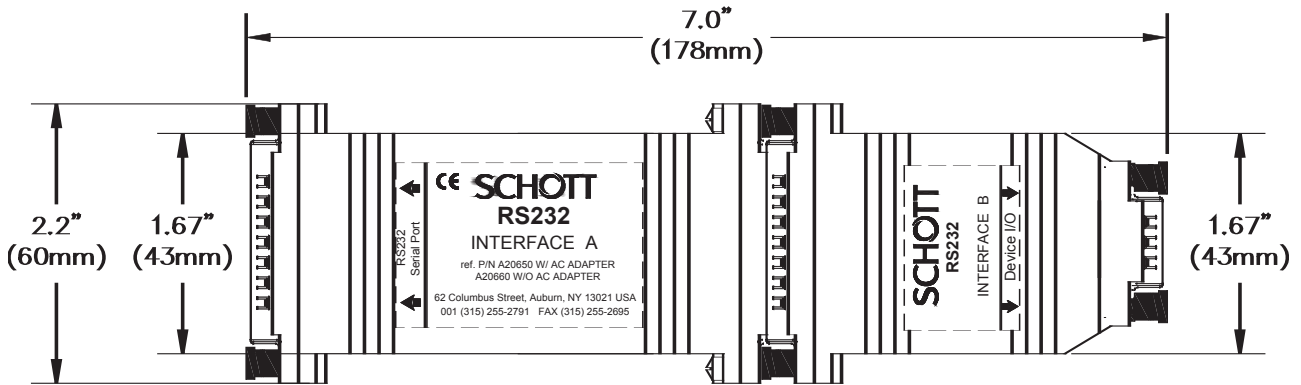
| RS232 Interface | |
|-----------------|--|
| Part No. | Description |
| A20650* | RS232 Interface with UL approved 120V wall transformer |
| A20660* | RS232 Interface without wall transformer |
| RS232 Cables | |
| A20661 | RS232 Single Cable with Plug |
| A20662 | RS232 Dual Cable with Plug |
| A20663 | RS232 Triple Cable with Plug |

User supplies shielded DB-9 male/female connector and RS232 serial port to DB-25 Sub D type connector.



RS232 Interface

Dimensions in () are in mm



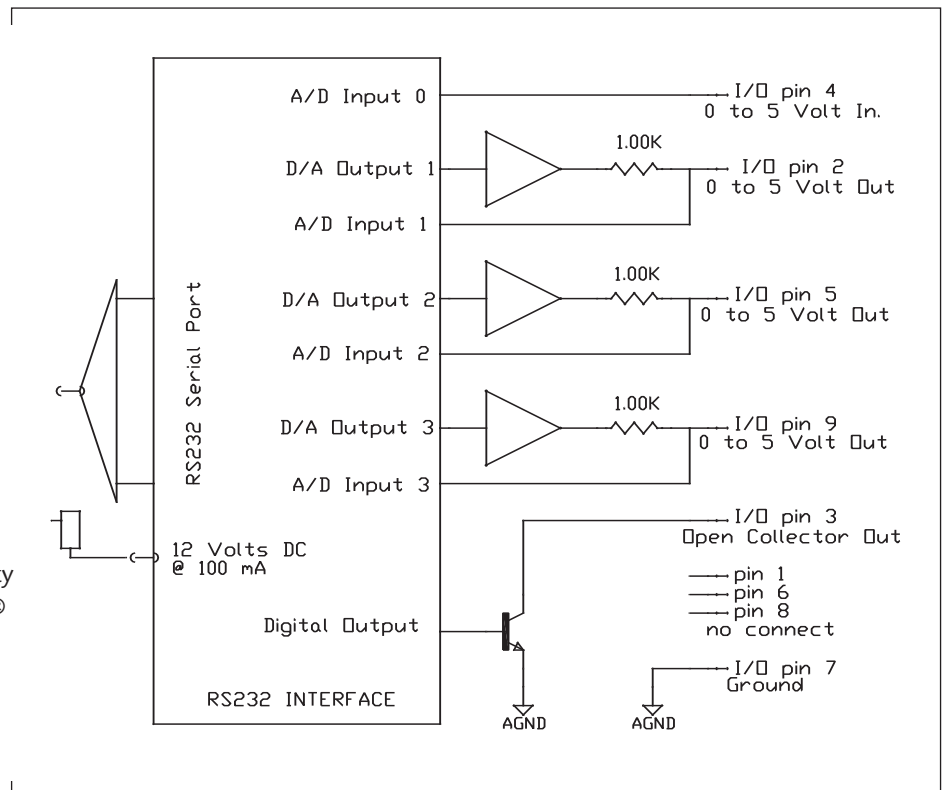
Power: 12 Volts DC @ 100 mA

Connection: 2.5 mm sub-mini two connector plug

Data Format: 1200 - 9600 Baud (auto detect) 8 data bits, 1 stop bit, no parity

- Three buffered 0 to 5 Volt analog outputs with 8 bit resolution and x-2 scaling bit.
- One open collector output.
- Four 0.0 to 5.0 Volt analog inputs* with 12 bit resolution. Three are individually wired to the analog outputs for read back capability. One is available for general use.
- For specific lightsource I/O listings, please refer to the lightsource user's manual.

* DCR®II and DCR®III maintain stability regardless of intensity setting. DCR® may become unstable at voltage inputs less than 2 volts. Refer to RS232 User's Manual or contact SCHOTT for more information.



Fiber Optics

SCHOTT North America, Inc.

62 Columbus Street

Auburn, NY 13021-3137

USA

Phone: +1315/255-2791

Fax: +1315/255-2695

E-mail: fiberoptics.auburn@us.schott.com

www.us.schott.com/fiberoptics

SCHOTT