



Dimmer Lock, A29502, shown attached to an ACE® Light Source.



Baffle, A29504, shown attached to an ACE® Light Source.

Dimmer Lock and Baffle

Dimmer Lock

- Designed to prevent accidental adjustment of light source dimmer during operation.
- For use with DCR® series and ACE® series light sources.
- Manufactured in the USA.

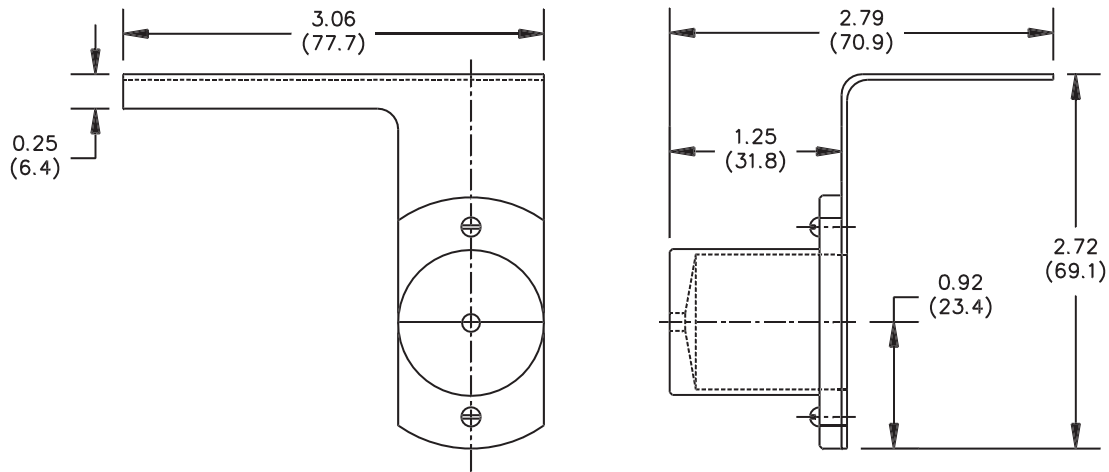
Baffle

- Blocks light emitting from the rear of the light source for people working at adjacent laboratory stations who could be disrupted by the light.
- For use with DCR® series and ACE® series light sources.
- Manufactured in the USA.

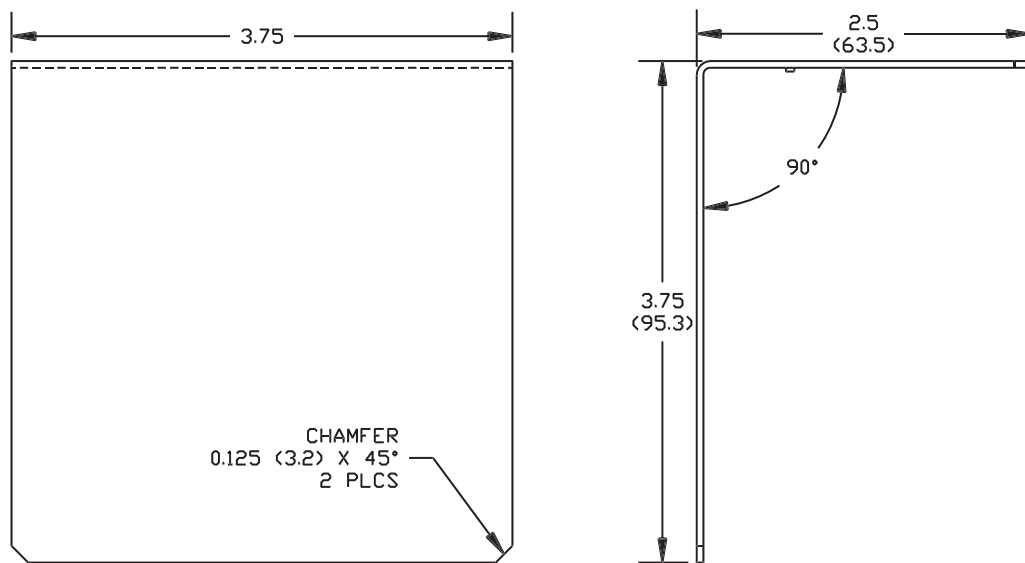
Dimmer Lock and Baffle	
Part No.	Description
A29502	Dimmer Lock
A29504	Baffle

Dimmer Lock and Baffle

Dimensions in () are in mm



A29502 - Dimmer Lock



A29504 - Baffle

Fiber Optics

SCHOTT North America, Inc.

62 Columbus Street

Auburn, NY 13021-3137

USA

Phone: +1315/255-2791

Fax: +1315/255-2695

E-mail: fiberoptics.auburn@us.schott.com

www.us.schott.com/fiberoptics

SCHOTT