



A20560



115 Volt ACE® Remote Light Source with EKE lamp, A20560



10" Extension Cord with CPC connectors, A29505

ACE® Remote Light Sources

115 Volt	230 Volt	Description
A20560	A20570	EKE Lamp
A20560.1	A20570.1	EJA Lamp
A20560.2	A20570.2	DDL Lamp

ACE® Remote Light Sources with Iris

A20580	A20590	EKE Lamp and Iris
A20580.1	A20590.1	EJA Lamp and Iris
A20580.2	A20590.2	DDL Lamp and Iris

ACE® Remote Power Supply Modulamp®/lamp not included

A20560.115	115 V Power Supply Only
A20570.230	230 V Power Supply Only

Extension Cord

A29505	10' extension - CE and CSA Comp.
--------	----------------------------------

EKE, DDL, and EJA lamps and Modulamp® units can be purchased separately.

Options

- Rear baffle.
- Shutter module.
- Infinite setting, thirteen blade iris diaphragm version available to reduce intensity while maintaining color temperature.

ACE® Remote Light Source

All the features of our universally accepted ACE® light source with the added convenience of the following:

Remote Features

- 6' shielded black cable provides remote intensity control, including ON/OFF.
- Positive locking, quick disconnect cable will not pull out.
- CSA approved to UL spec, CE compliant to low voltage and EMC directives.
- 10' shielded extension available as an option.
- Control assembly is supplied in black only.
- Quantities delivered in 4-5 weeks.

Standard Features

- Heavy duty, grounded metal housing.
- 115 or 230 input voltage versions available.
- IR interference filter for cool illumination.
- Full illumination on .60" active diameter input.
- Solid state dimmer control.
- Interchangeable Modulamp® Units offer 2 positions to maximize individual lamp efficiencies.
- Choice of three, 150 watt halogen lamps - EJA, EKE, and DDL for intense, uniform illumination.
- Built-in thermal shut down.
- Quiet rear exhaust.
- Zero to full intensity.
- Stackable with retractable handle.
- Low housing temp - slightly above ambient.
- Detachable IEC cord.
- 3-year warranty (excludes lamp and socket).
- Manufactured in the USA.

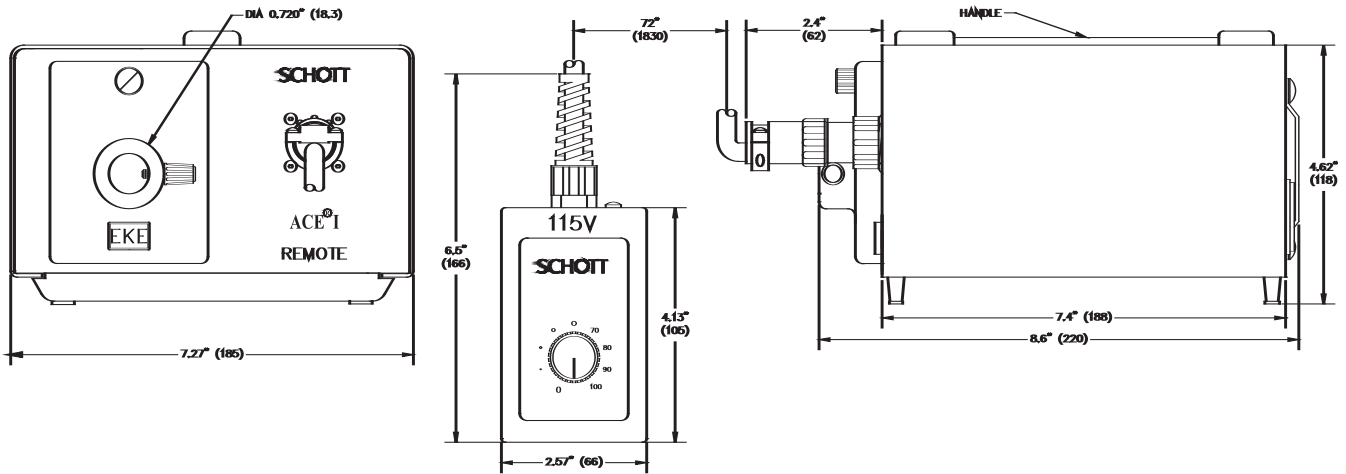
Power Supply Specifications

Power Consumption	190 Watts (nominal)
Output Voltage	0 - 21 VAC
Fiber Receptacle	.720 (13.3)
Input Voltage	115 VAC / 60 Hz 230 VAC / 50/60 Hz
Temperature Range: Operating	0° to 50°C

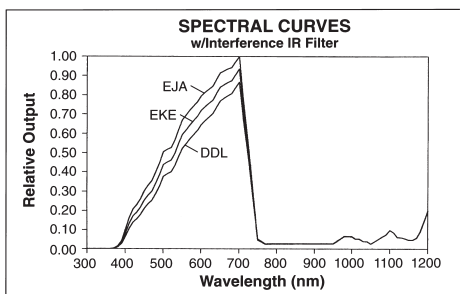
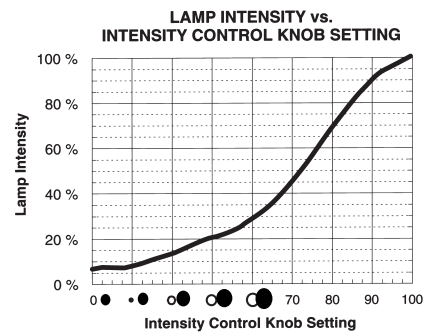
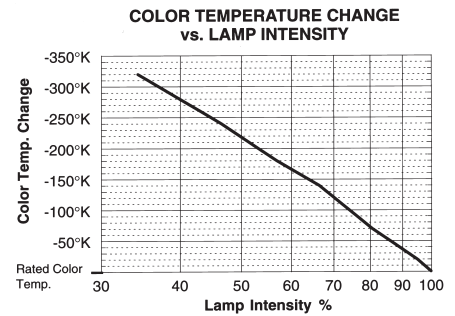
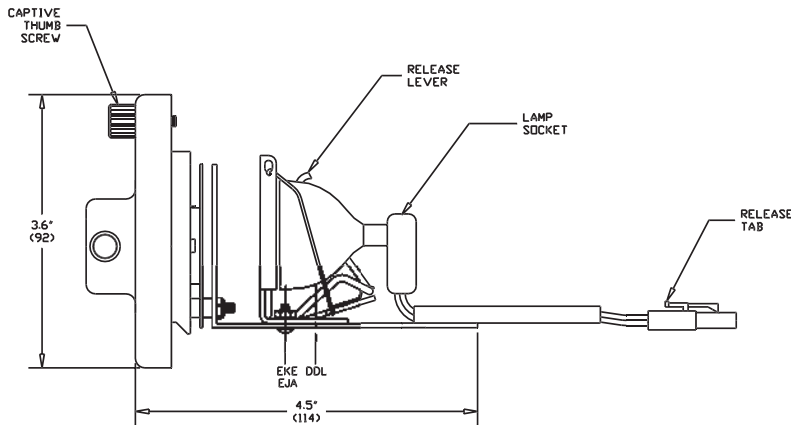
SCHOTT

ACE® Remote Light Source

Dimensions in () are in mm



Input: 115 VAC/60 Hz, 230 VAC/50/60 Hz, Output: 0-21 VAC



Modulamp®... SCHOTT Innovation! Two positions optimize light intensity output, depending on the lamp in use. Entire housing is interchangeable for quick setup.

Choice of Lamps.. SCHOTT Versatility! Three different bulbs (EJA, EKE, DDL) offer light intensity and color temperature options to maximize productivity and accuracy.

Solid State Dimmer..SCHOTT Control! Continuous intensity control for lamp life management.

Fiber Optics

SCHOTT North America, Inc.

62 Columbus Street
Auburn, NY 13021-3137
USA

Phone: +1315/255-2791

Fax: +1315/255-2695

E-mail: fiberoptics.auburn@us.schott.com

www.us.schott.com/fiberoptics

SCHOTT