



ACE® Light Source with EKE lamp, A20500

ACE® Light Source

Compact, rugged, AC halogen light source with solid state dimmer for variable light intensity and maximizing lamp life.

Standard Features

- Solid state dimmer for continuous control zero to full intensity.
- Heavy duty, grounded metal housing.
- 115 or 230 input voltage versions available.
- IR interference filter for cool illumination.
- Full illumination on .60" active diameter input.
- Interchangeable Modulamp® Units offer 2 positions to maximize individual lamp efficiencies.
- Choice of three, 150 watt halogen lamps - EJA, EKE, and DDL for intense, uniform illumination.
- Built-in thermal shut down.
- Quiet rear exhaust.
- CSA approved to UL spec, CE compliant to low voltage and EMC directives.
- Stackable with retractable handle.
- Low housing temp - slightly above ambient.
- Detachable IEC cord.
- 3-year warranty (excludes lamp and socket).
- Manufactured in the USA.

ACE® Light Source Models		
115 Volt	230 Volt	Description
Standard Light Sources		
A20500	A20510	EKE Lamp
A20500.1	A20510.1	EJA Lamp
A20500.2	A20510.2	DDL Lamp
Light Sources with Iris Diaphragm		
A20520	A20530	EKE Lamp
A20520.1	A20530.1	EJA Lamp
A20520.2	A20530.2	DDL Lamp
Light Source without Modulamp® Unit		
A20500.115	A20510.230	No Lamp Power Supply Only

EKE, DDL, and EJA lamps and Modulamp® units can be purchased separately.



Modulamp® Unit with Iris Diaphragm

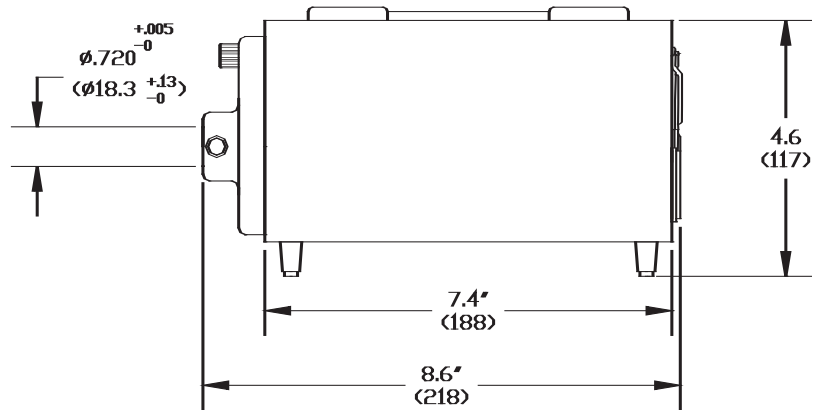
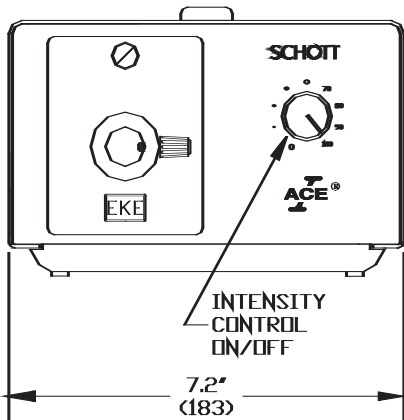
Options

- Rear baffle.
- Dimmer lock.
- Shutter module.
- Private labeling available.
- Infinite setting, thirteen blade iris diaphragm version available to reduce intensity while maintaining color temperature.
- ACE® Remote light source is also available. See section 01.01.05 in product catalog.

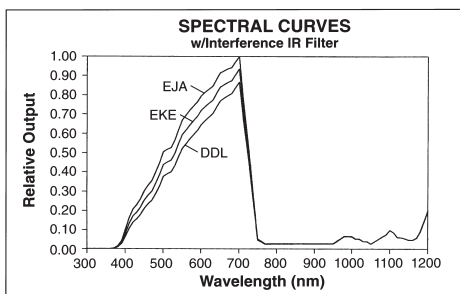
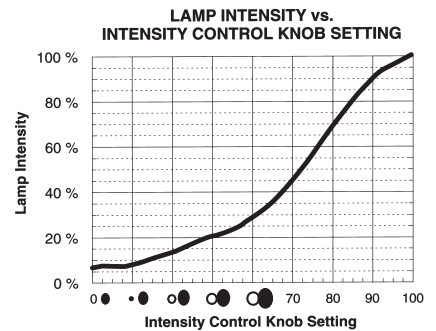
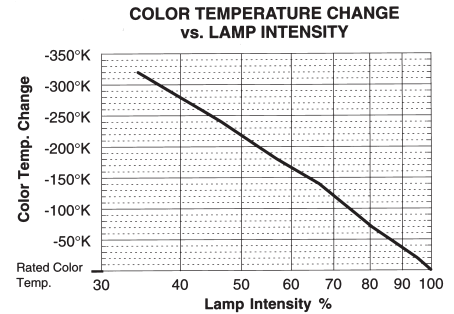
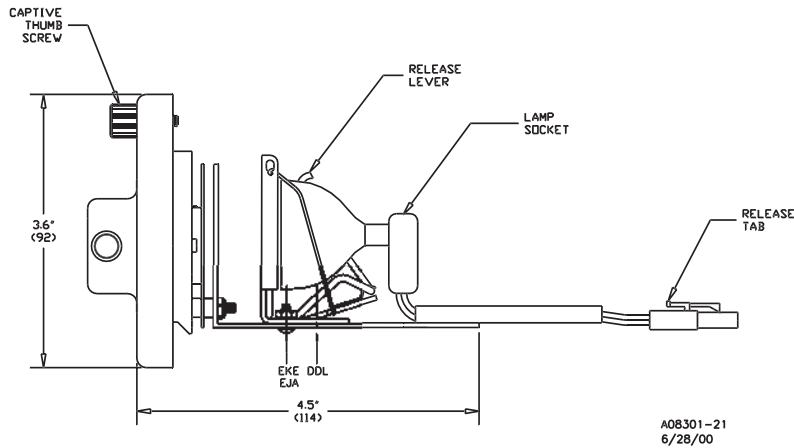
Power Supply Specifications	
Power Consumption	190 Watts (nominal)
Output Voltage	0 - 21 VAC
Fiber Receptacle	.720 (13.3 mm)
Input Voltage	115 VAC / 60 Hz 230 VAC / 50/60 Hz
Temperature Range: Operating	0° to 50°C

ACE® Light Source

Dimensions in () are in mm



Input: 115 VAC/60 Hz, 230 VAC/50/60 Hz, Output: 0-21 VAC



Modulamp®... SCHOTT Innovation!
Two positions optimize light intensity output, depending on the lamp in use. Entire housing is interchangeable for quick setup.

Choice of Lamps.. SCHOTT Versatility!
Three different bulbs (EJA, EKE, DDL) offer light intensity and color temperature options to maximize productivity and accuracy.

Solid State Dimmer..SCHOTT Control!
Continuous intensity control for lamp life management.

Fiber Optics

SCHOTT North America, Inc.

62 Columbus Street

Auburn, NY 13021-3137

USA

Phone: +1315/255-2791

Fax: +1315/255-2695

E-mail: fiberoptics.auburn@us.schott.com

www.us.schott.com/fiberoptics

SCHOTT