

NEW! EHA-SRX

HD-SDI to HDMI Converter



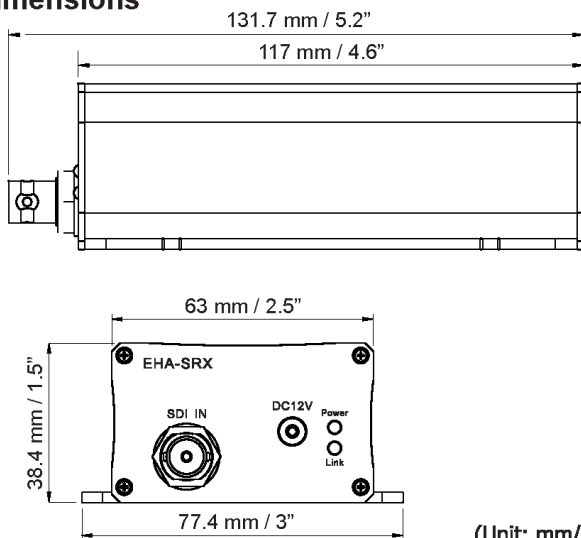
Features

- Supports HD CCTV high definition HD-SDI digital video at 720p (60 FPS), 1080i (60 FPS) and 1080p (30 FPS)
- 1.485 GB/s data processing rate for HD-SDI
- Integrated cable equalizer for long distance video transmission without loss of video quality
- High quality digital video and audio transmission with zero latency
- Supports standard HDMI output for HD TV monitor display
- Receive HD CCTV digital video over coaxial cable at up to 120 meters / 400 feet of distance

Specifications

SDI Standards	HD-SDI
Video Bandwidth	1.485 Gbps
Video Support	720p at 50/59.94/60Hz 1080i at 50/59.94/60Hz 1080p at 24/30Hz
Input Signal	HD-SDI: SMPTE292M, SMPTE296M
Output Signal	HDMI
Cable Equalization	Up to 120M/400 ft
Input Connector	1x BNC (HD-SD) 3G 75 ohm interlocked socket
Output Connector	1x HDMI Type A (19-pin female)
Housing Material	Metal Case
Dimensions (L x W x H)	117 x 77.4 x 38.4 mm / 4.6" x 3" x 1.5"
Weight	200 g / 0.45 lbs
Power Source	12VDC
Power Consumption	2W max.
Operating Temp.	0°C ~ 50°C / 32°F ~ 122°F
Humidity	20~80% humidity

Dimensions



(Unit: mm/inch)

Brian Reece Scientific Limited
 12, West Mills
 Newbury
 Berks
 RG14 5HG
 +44 1635 32827

