

TEC-M55

55mm F2.8

for 2/3" format cameras

C-Mount

Machine Vision

Microscope Lens

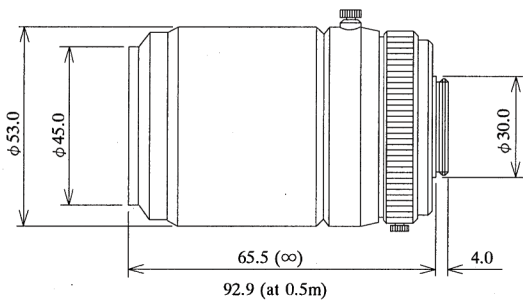
Model No.	TEC-M55		Effective	Front	φ 33.0 mm
Focal Length	55 mm		Lens Aperture	Rear	φ 13.3 mm
Max. Aperture Ratio	1 : 2.8		Back Focal Length	29.8 mm	
Max. Image Format	8.8 X 6.6 mm (φ 11 mm)		Flange Back Length	17.526 mm	
Operation	Iris	F2.8 ~ 32C		Mount	C-Mount
	Focus	Manual, (0.14~Inf.)		Filter Size	M43 X 0.75mm
Object Distance at M.O.D.	17 X 13mm		Dimensions	φ 53.0 X 92.9mm	
			Weight	320 g	
Angle of View	D	11.5°			
	H	2/3"	9.2°		
	V		6.9°		

2/3

C

M.O.D. : Minimum Object Distance

Dimensions



When using Optical accessories, Please remove (Screw-out) Dust-Proof cover glass.

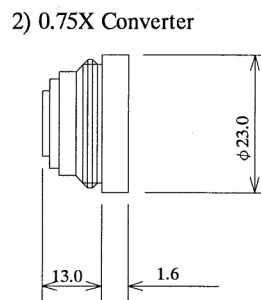
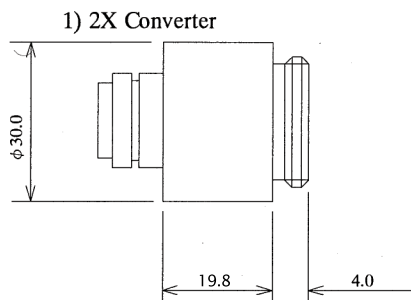
f = 55 mm

Object Distance	Object Size (Horizontal)	
	2/3" Format	1/2" Format
5,000 mm	700 mm	550 mm
3,000	400	320
1,000	150	120
500	70	53
300	40	32
200	27	20
140	17	12

Object Distance : Distance from Lens surface to Object

Object Size : Full Size appeared on Monitor

Optional Accessories



SP